

TOORX
PROFESSIONAL LINE

INSTRUCTION



FWX4400

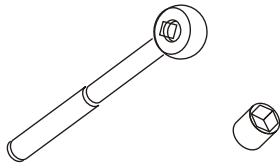


Cod : GRLDTOORXFWX4400

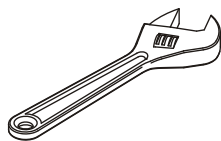
Rev : 00

Ed : 12/19

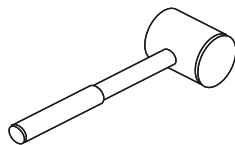
Tools Required



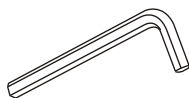
Ratchet Wrench and Socket



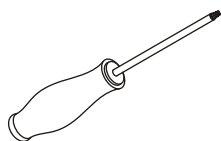
Adjustable Wrench



Rubber Mallet



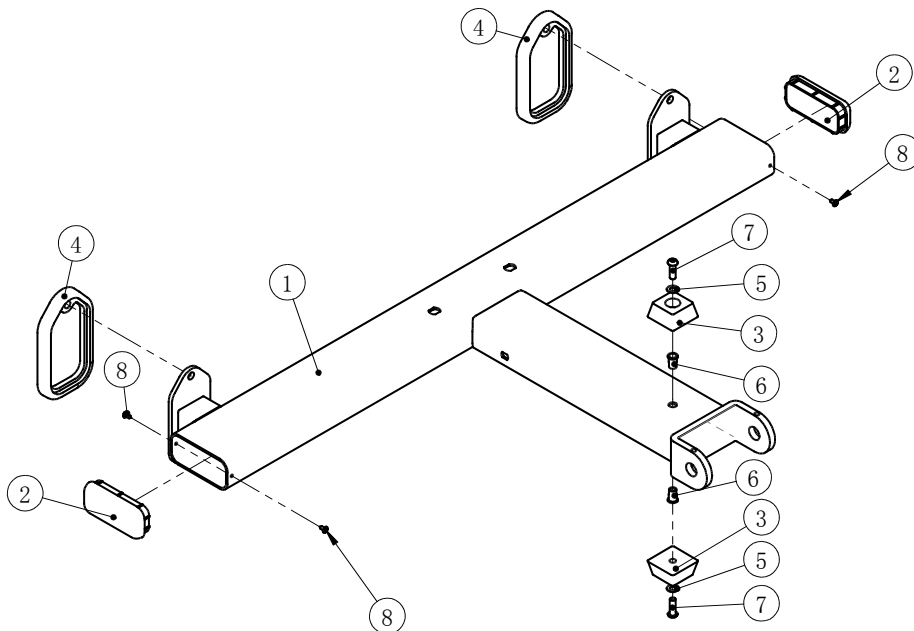
Hex Key Wrench Set



Phillips Screwdriver

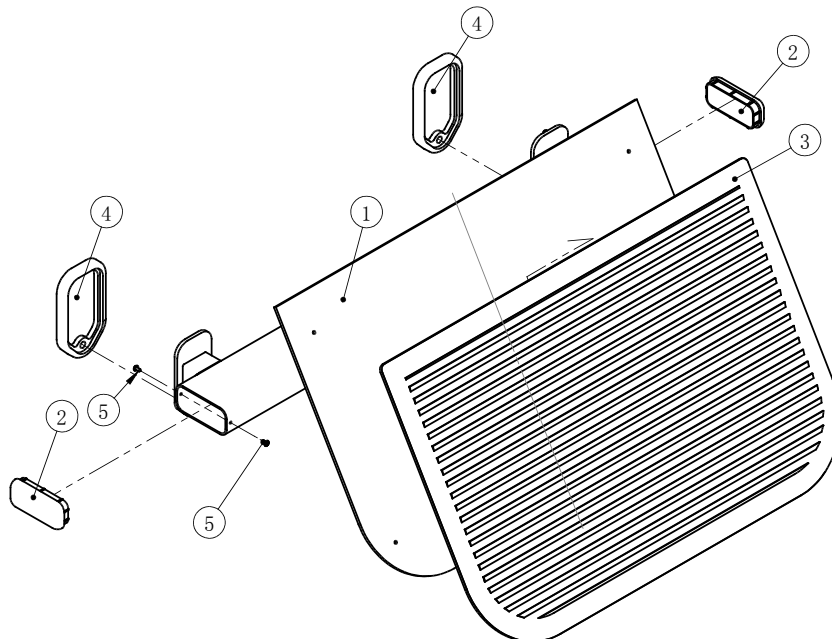
Exploded View and Partslist

Rear supporting



Item No.	Description	QTY	Item No.	Description	QTY
1.1	Rear supporting	1	1.5	Flat Washer $\Phi 9 \times \Phi 16 \times 1$	2
1.2	Rectangular tube wall	2	1.6	Rivet Nut M8	2
1.3	Cone limiting pad	2	1.7	Button Head Cap Screw M8*25	2
1.4	Rubber Foot	2	1.8	Self-tapping	4

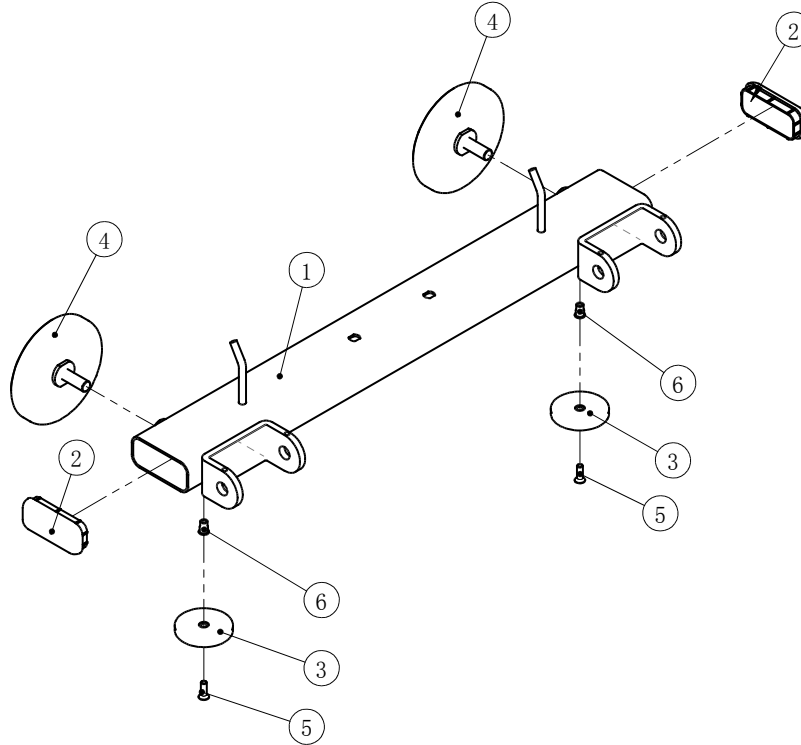
Foot support



Item No.	Description	QTY	Item No.	Description	QTY
2.1	Foot support	1	2.4	Rubber Foot	2
2.2	Rectangular tube wall	2	2.5	Self-tapping	4
2.3	Foot pad	1			

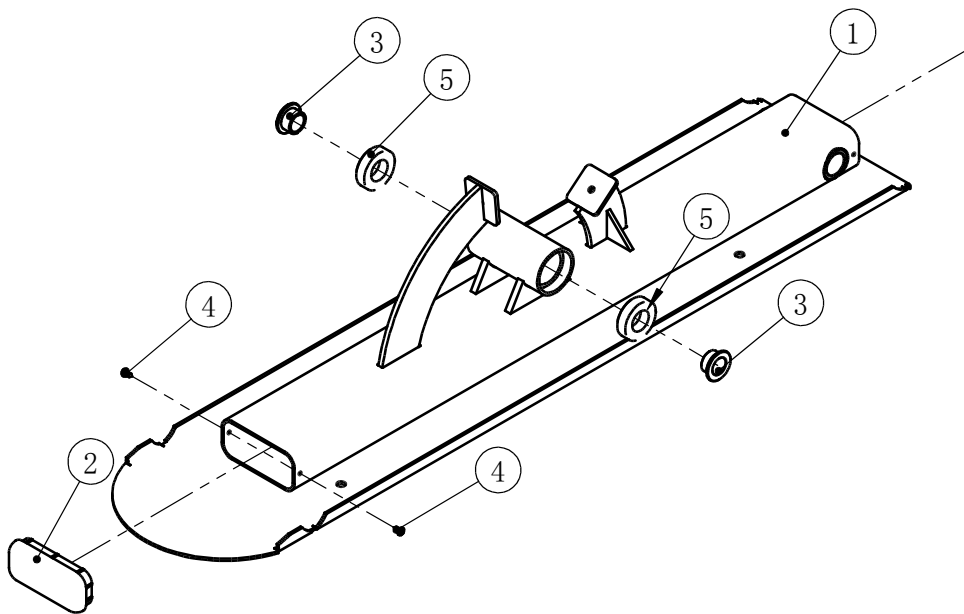
Exploded View and Partslist

Floor mounting



Item No.	Description	QTY	Item No.	Description	QTY
3.1	Floor mounting	1	3.4	To stick to ASSY	2
3.2	Rectangular tube wall	2	3.5	Flat Head Cap Screw M8*25	2
3.3	Foot pad	2	3.6	Rivet Nut M8*16.5	2

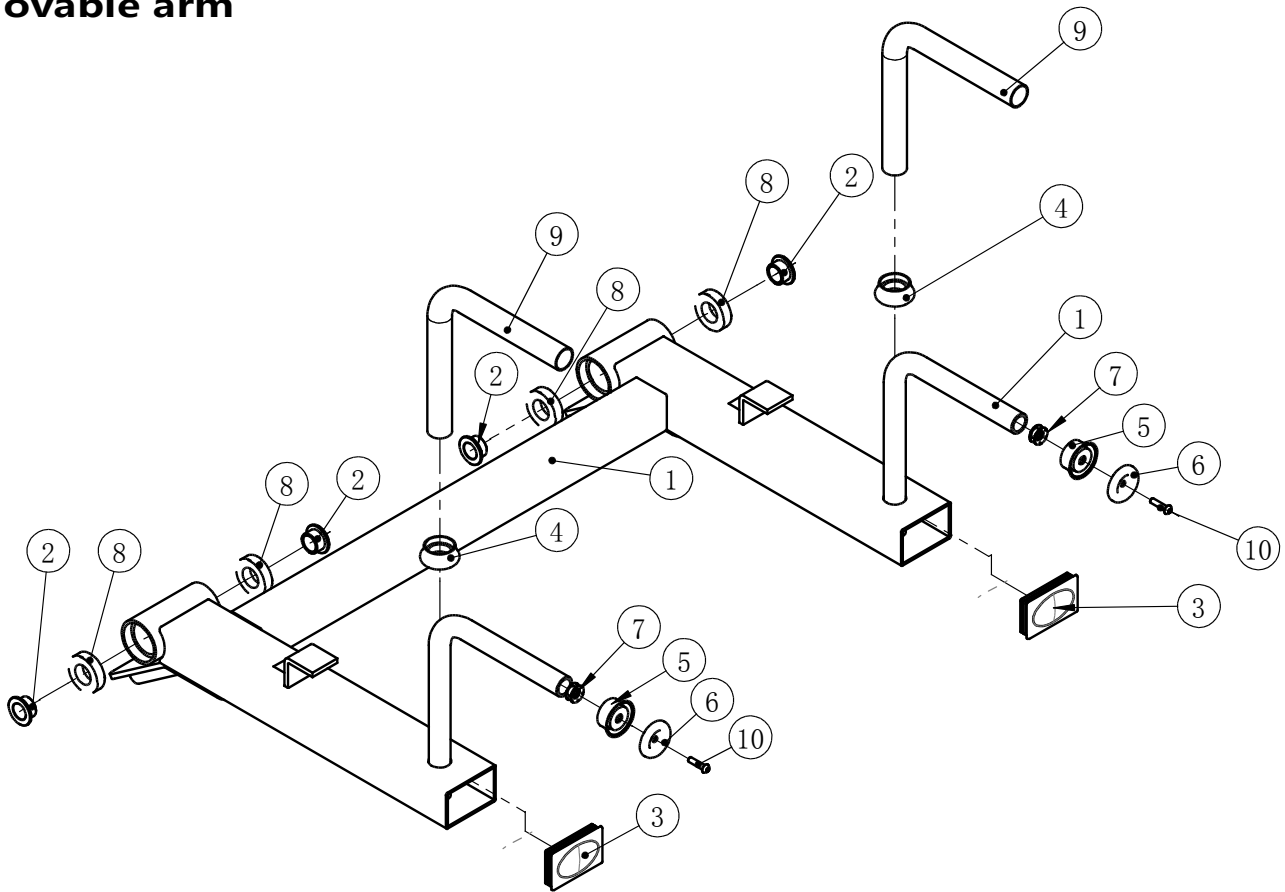
Seat



Item No.	Description	QTY	Item No.	Description	QTY
4.1	Seat	1	4.4	Self-tapping 4.2*10	2
4.2	Rectangular tube wall	1	4.5	Bearing 6005	2
4.3	copper, bush	2			

Exploded View and Partslist

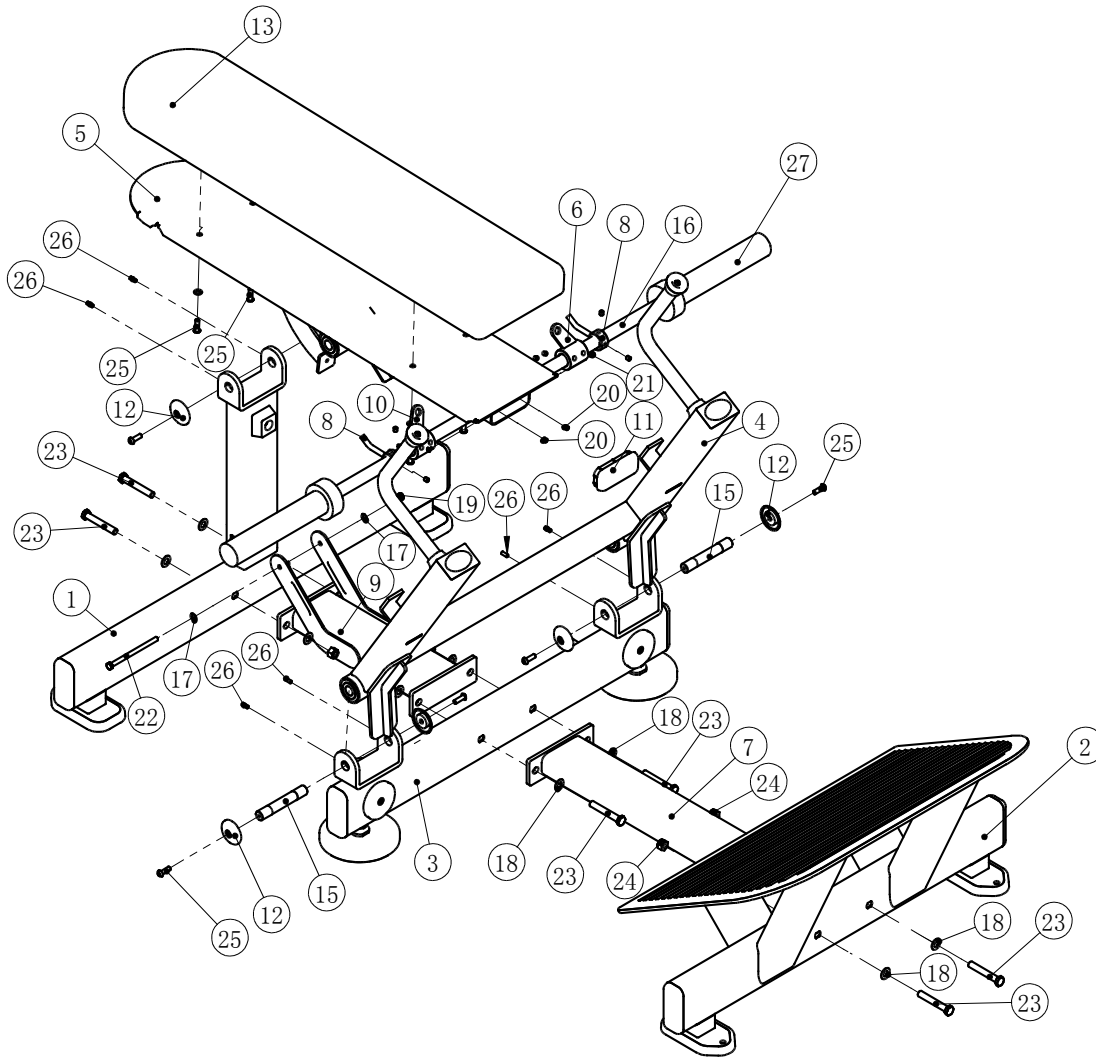
Movable arm



Item No.	Description	QTY	Item No.	Description	QTY
5.1	Movable arm	1	5.6	Outside end cover	2
5.2	copper,bush	4	5.7	heronsbill	2
5.3	Rectangular tube wall	2	5.8	Bearing 6005	4
5.4	The handle cover	2	5.9	Grip	2
5.5	The handle cover	2	5.10	Button Head Cap Screw M6*25	2

overall

Exploded View and Partslist

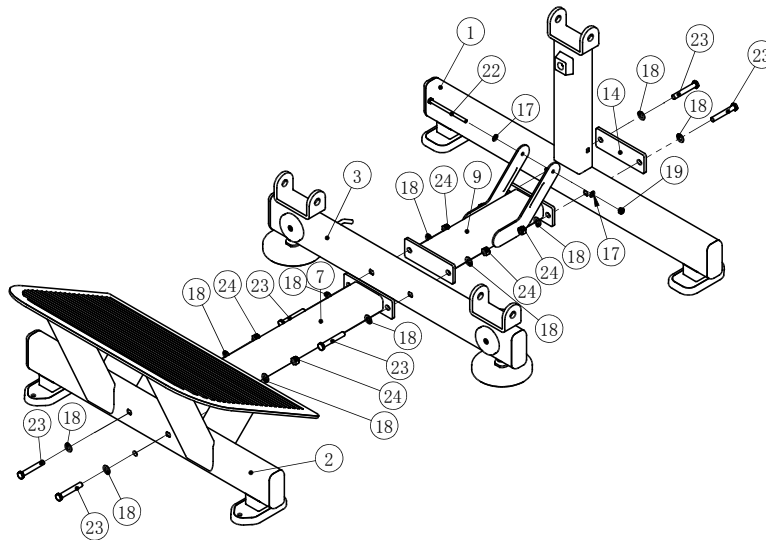


overall

Item No.	Description	QTY	Item No.	Description	QTY
1	Rear supporting ASSY	1	15	Shaft	3
2	Foot support ASSY	1	16	Bar slowly	1
3	Floor mounting ASSY	1	17	Flat Washer $\Phi 9 \times \Phi 16 \times 1$	6
4	Movable arm ASSY	1	18	Flat Washer $\Phi 13 \times \Phi 24 \times 1$	12
5	Seat ASSY	1	19	Nylon Lock Nut M8	1
6	Right hook retaining sleeve	1	20	Set screw M8*8	10
7	Joint bracket welding group A	1	21	Self-tapping 4.2*10	2
8	Detachable hook	2	22	Hex Head Bolt M8*130	1
9	Connecting rod welding group B	1	23	Hex Head Bolt M12*80	6
10	Left hook securing sleeve	1	24	Nylon Lock Nut M12	6
11	Rectangular tube wall	1	25	Button Head Cap Screw M8*25	10
12	Cap $\Phi 53$	6	26	Set screw M6*16	6
13	Seat Pad	1			

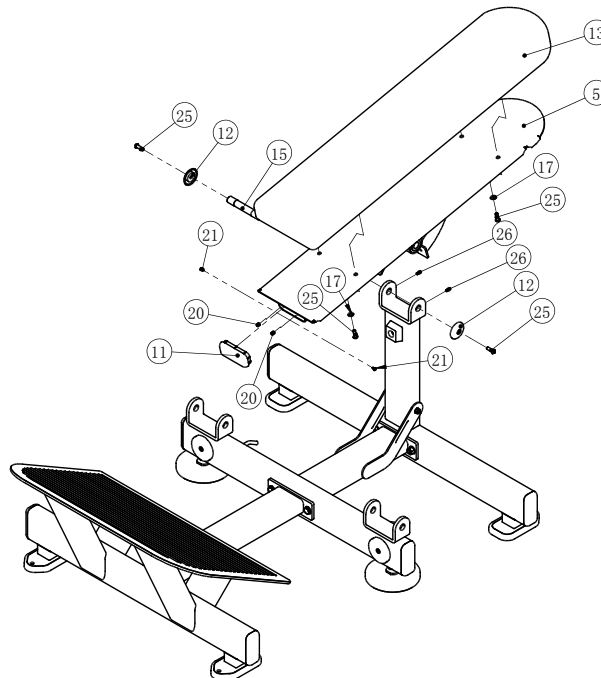
Assembly

Step 1



Item No.	Description	QTY	Item No.	Description	QTY
1	Rear supporting ASSY	1	18	Flat Washer $\Phi 13 \times \Phi 24 \times 1$	12
2	Foot support ASSY	1	19	Nylon Lock Nut M8	1
3	Floor mounting ASSY	1	24	Nylon Lock Nut M12	6
9	Connecting rod welding group B	1	23	Hex Head Bolt M12*80	6
7	Joint bracket welding group A	1	22	Hex Head Bolt M8*130	1
17	Flat Washer $\Phi 9 \times \Phi 16 \times 1$	2			

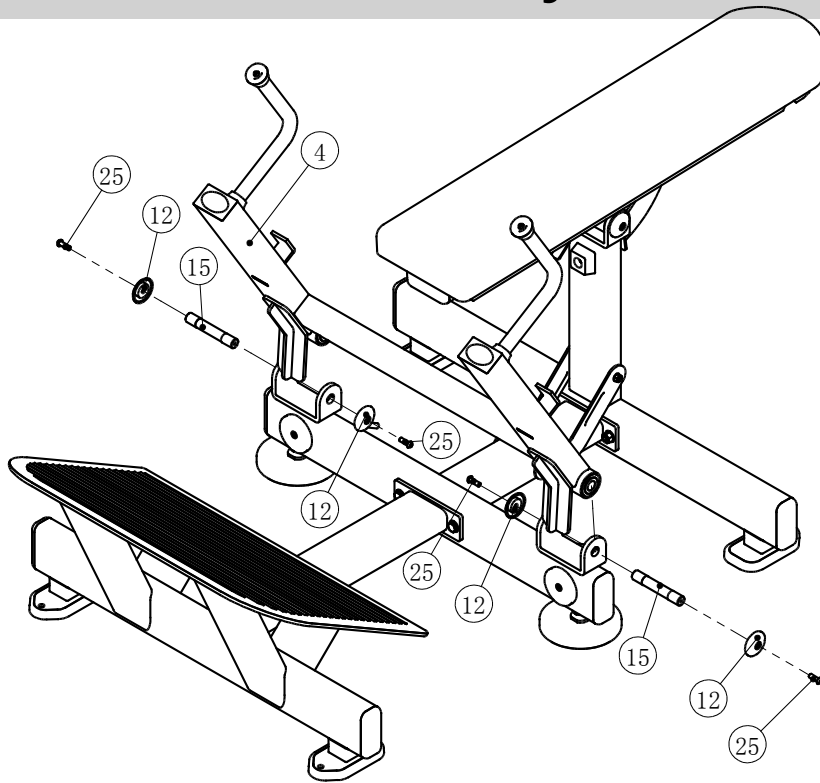
Step 2



Item No.	Description	QTY	Item No.	Description	QTY
5	Seat ASSY	1	17	Flat Washer $\Phi 9 \times \Phi 16 \times 1$	4
11	Rectangular tube wall	1	21	Self-tapping 4.2*10	2
12	Cap $\Phi 53$	2	26	Set screw M6*16	2
13	Seat Pad	1	25	Button Head Cap Screw M8*25	6
15	Shaft	1	20	Set screw M8*8	2

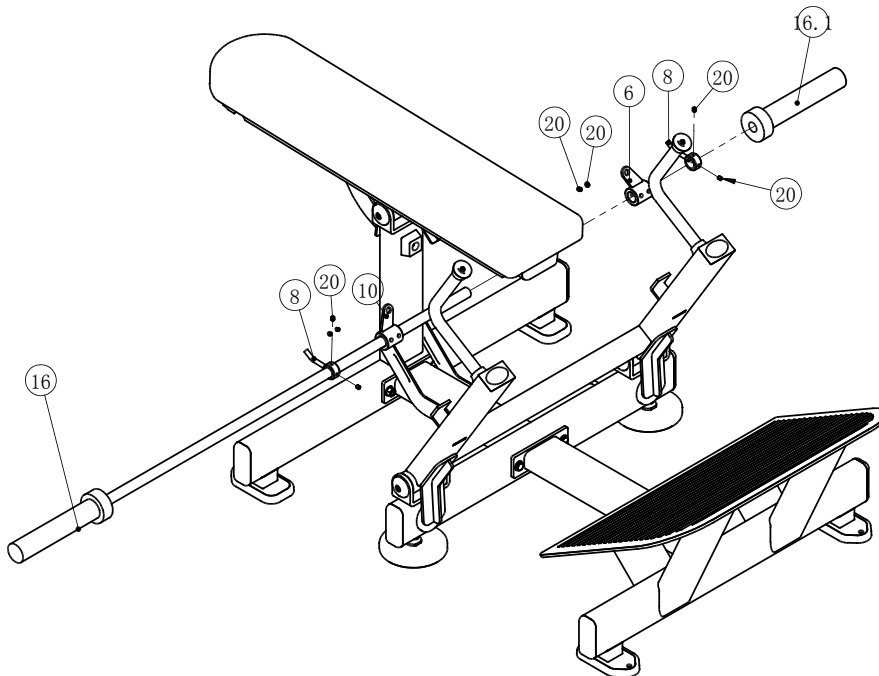
Assembly

Step 3



Item No.	Description	QTY	Item No.	Description	QTY
4	Movable arm ASSY	1	15	Shaft	2
12	Cap $\Phi 53$	4	25	Button Head Cap Screw M8*25	4

Step 4



Item No.	Description	QTY	Item No.	Description	QTY
8	Detachable hook	2	16	Bar slowly	1
6	Right hook retaining sleeve	1	16.1	Bar slowly	1
10	Left hook securing sleeve	1	20	Set screw M8*8	8



GARLANDO SPA
Via Regione Piemonte, 32 - Zona Industriale D1
15068 - Pozzolo Formigaro (AL) - Italy
contact@toorxprofessional.it
www.toorxprofessional.it