

**TOORX**  
PROFESSIONAL LINE

# INSTRUCTION



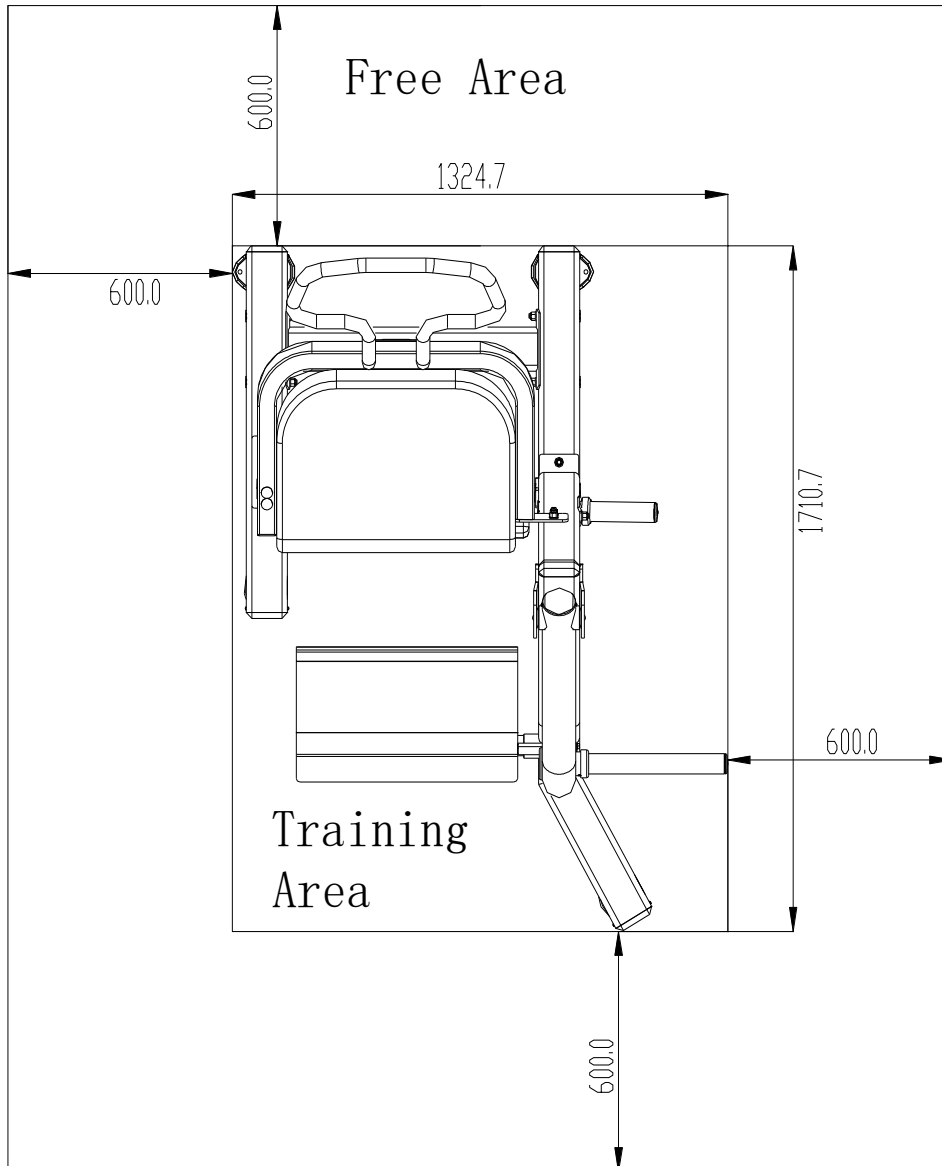
# FWX4600



Cod : GRLDTOORXFWX4600

Rev : 00

Ed : 12/19



## Specifications

Class: S

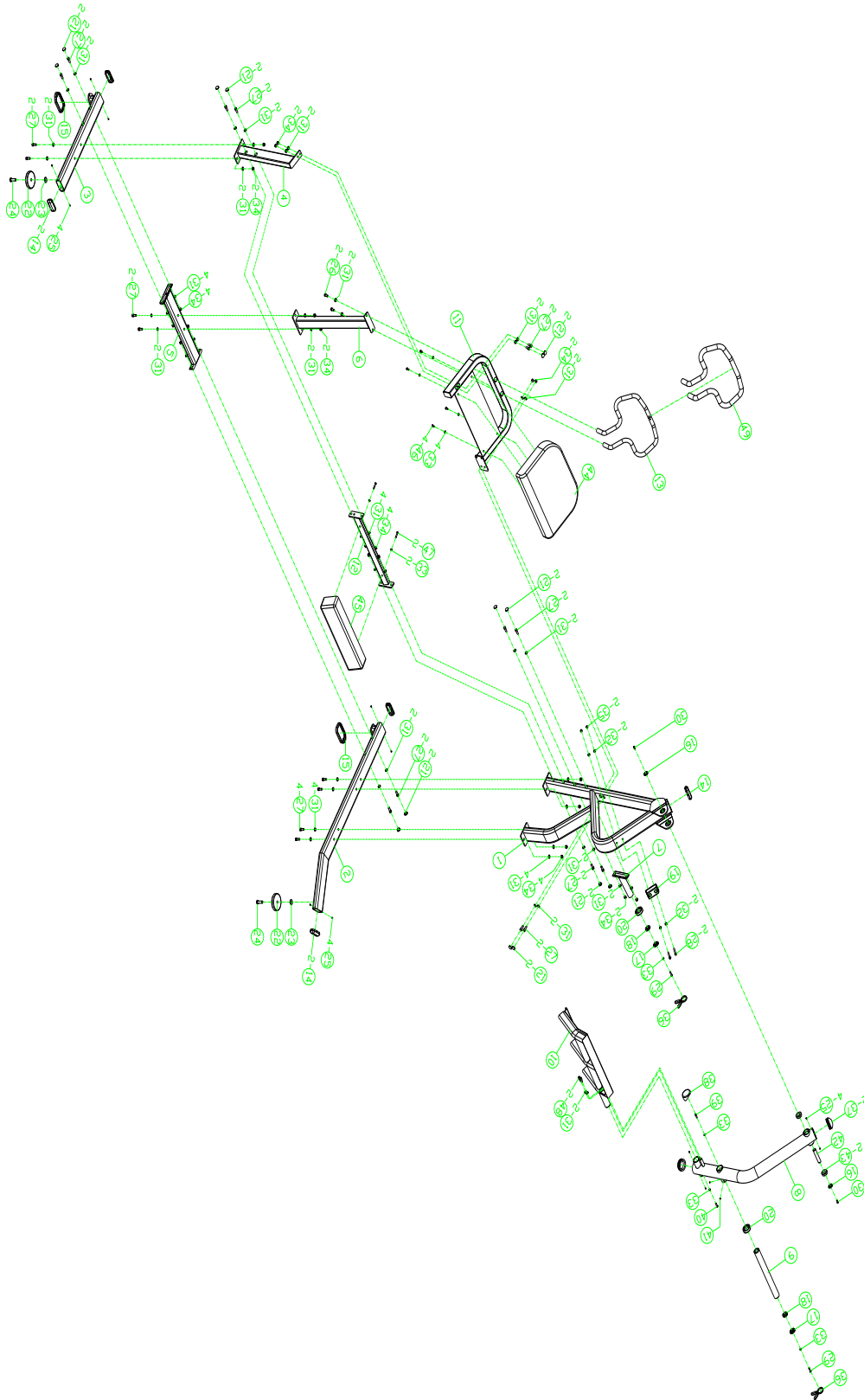
Maximum Wt. Capacity: 60 kg/132 IBS

Maximum User Weight: 135 kg/297 IBS

Product Total Surface: 1355\*1128

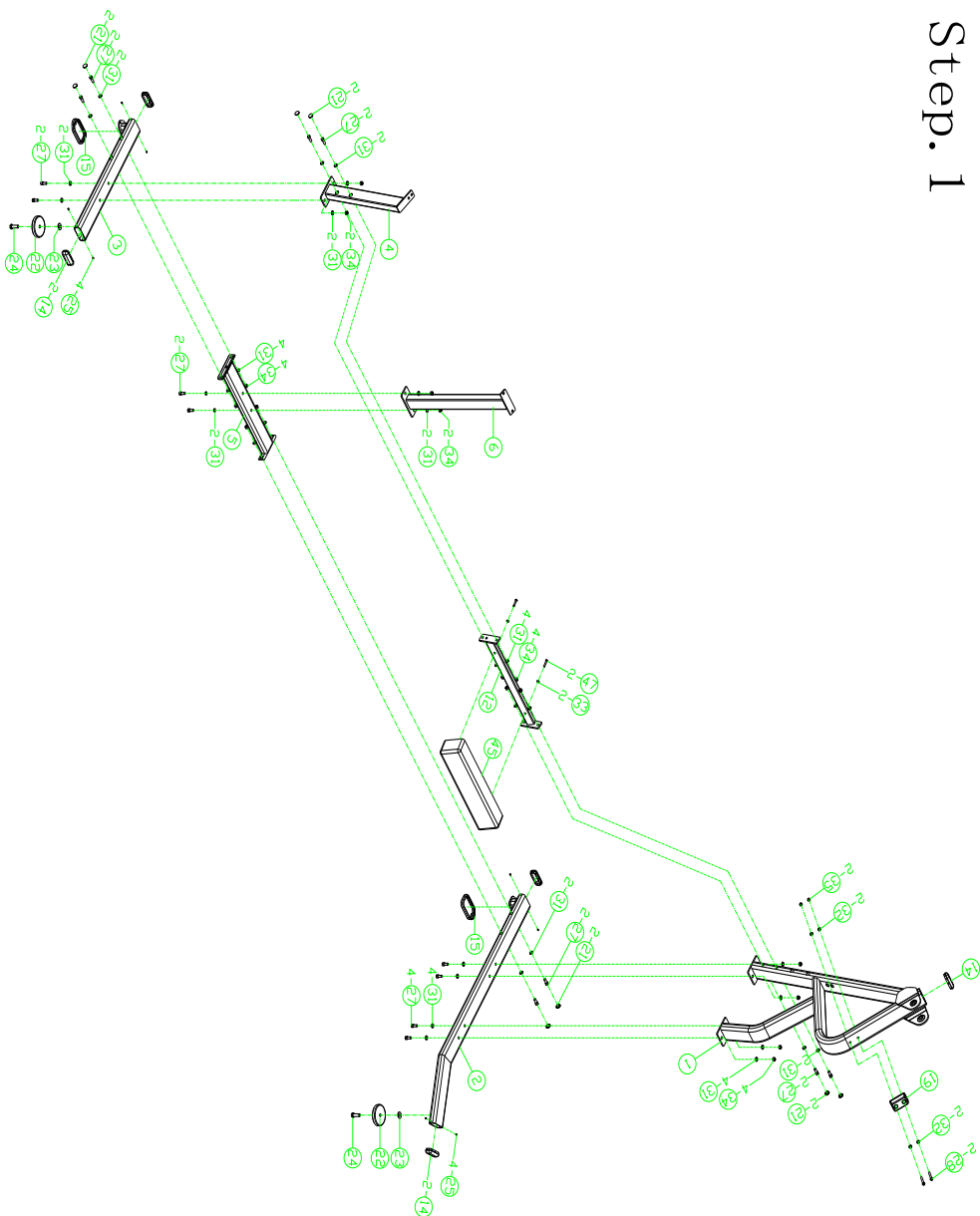
Product Total Mass: 150 kg/330 IBS

# Exploded diagram



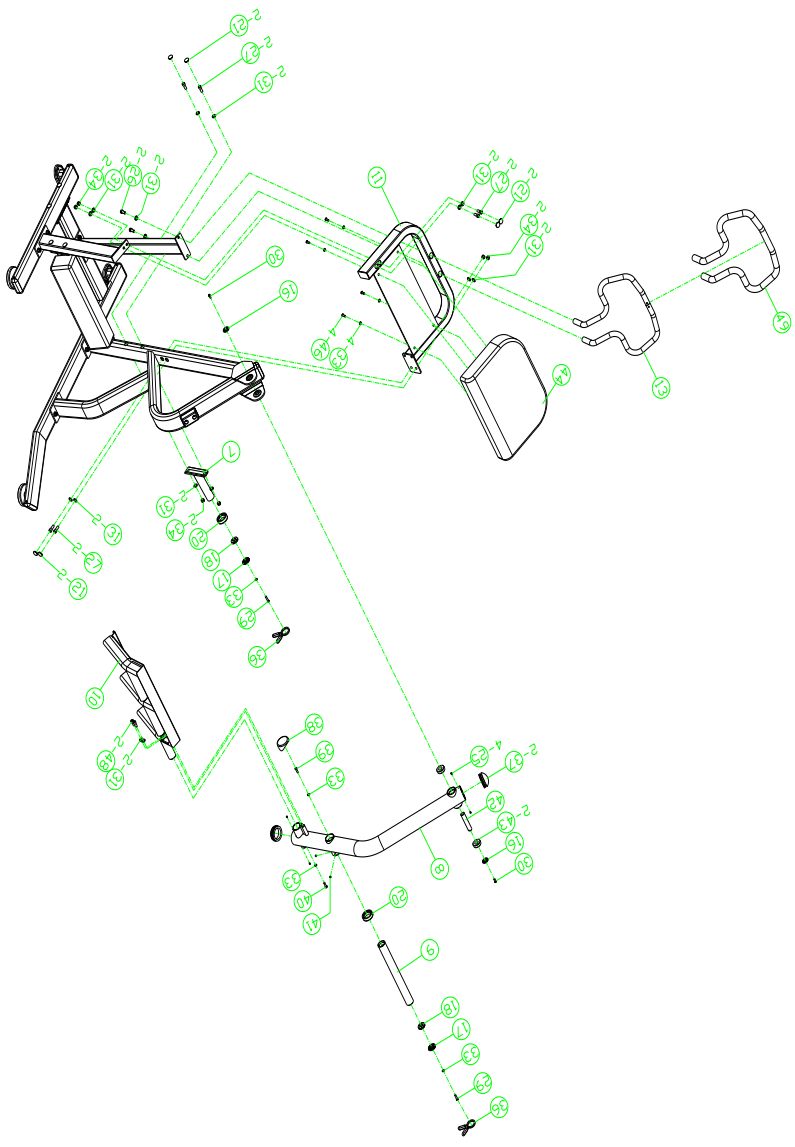
# Illustrationstep

## Step. 1



NO.	Name	Specification	Qty
1	Floorstand		1
2	Right Ground Frame		1
3	Left Ground Frame		1
4	Left Support		1
5	Ground Connection Frame		1
6	Front Support		1
12	Foot Support		1
14	Square Pipe Plug	50*110	5
15	Foot Mat		2
19	Shock absorption		1
21	Pipe Plug	30*8	8
22	Foot		2
23	Iron stator		2
24	hex screw	M10*50L	2
25	Cross Self-tapping Screw	4. 2*10L	8
27	Hexagon Socket Head Screws	M12*30L	16
28	Hexagon Socket Head Screws	M10*75L	2
31	Washer	M12	32
32	Washer	M10	4
33	Washer	M8	2
34	Lock Nut	M12	16
35	Lock Nut	M10	2
45	Cushion		1
47	Hexagon Socket Head Screws	M8*50L	2

# Step. 2



NO.	Name	Specification	Qty
7	Plate Loaded Welding		1
8	Arm welding Group		1
9	Backrest welding Group		1
10	Front Component		1
11	Chest Support		1
13	Handle Back		1
16	Boasting Cap		2
17	Pipe Plug	50	2
18	Strapnet Mat	46*46	2
20	Foot Pad	50*70	2
21	Pipe Plug	30*8	6
25	Cross Self-Tapping Screw	4.2*10L	4
26	Hexagon Bolt	M12*30L	2
29	Hexagon Socket Head Screws	M8*35L	2
30	Hexagon Socket Head Screws	M8*20L	2
31	Washer	M12	16
33	Washer	M8	8
36	Ejector Large Jump Ring		2
37	Round Tube Plug	89	2
38	Round Tube Plug	50	1
39	Hexagon Socket Head Screws	M8*30L	1
40	Hexagon Bolt	M8*30L	2
41	Jackscrow	M8*6	16
42	Axis		2
43	bearing		2
44	Cushion		1
46	Hexagon Socket Head Screws	M8*25L	4
48	Hexagon Socket Head Screws	M12*25L	2
49	Rubber Screws		1



GARLANDO SPA  
Via Regione Piemonte, 32 - Zona Industriale D1  
15068 - Pozzolo Formigaro (AL) - Italy  
[www.toorx.it](http://www.toorx.it) - [info@toorx.it](mailto:info@toorx.it)