

TOORX
PROFESSIONAL LINE

INSTRUCTION



**SKXSKI
CROSS**

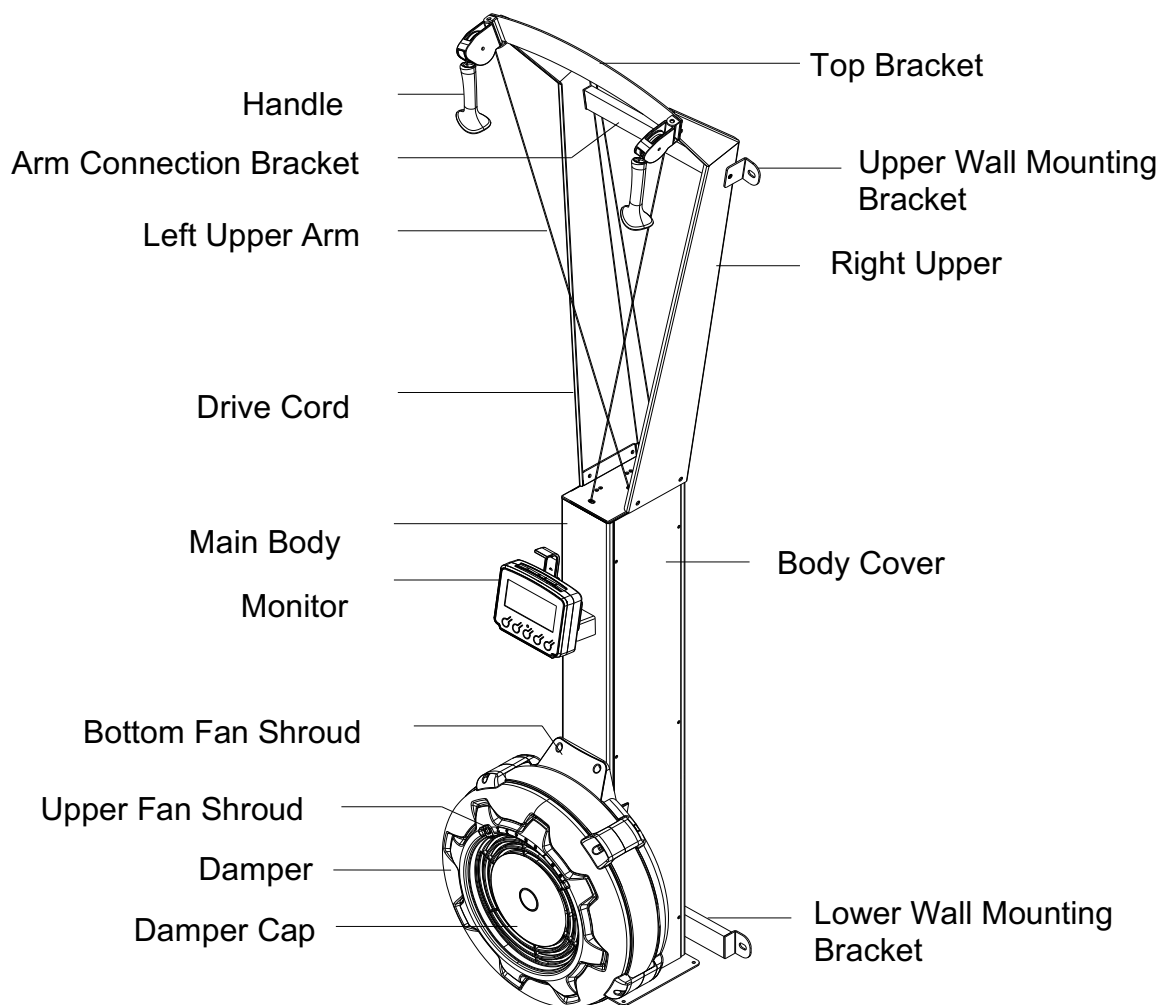


Cod : GRLDTOORXSKXSKI

Rev : 01

Ed : 06/19



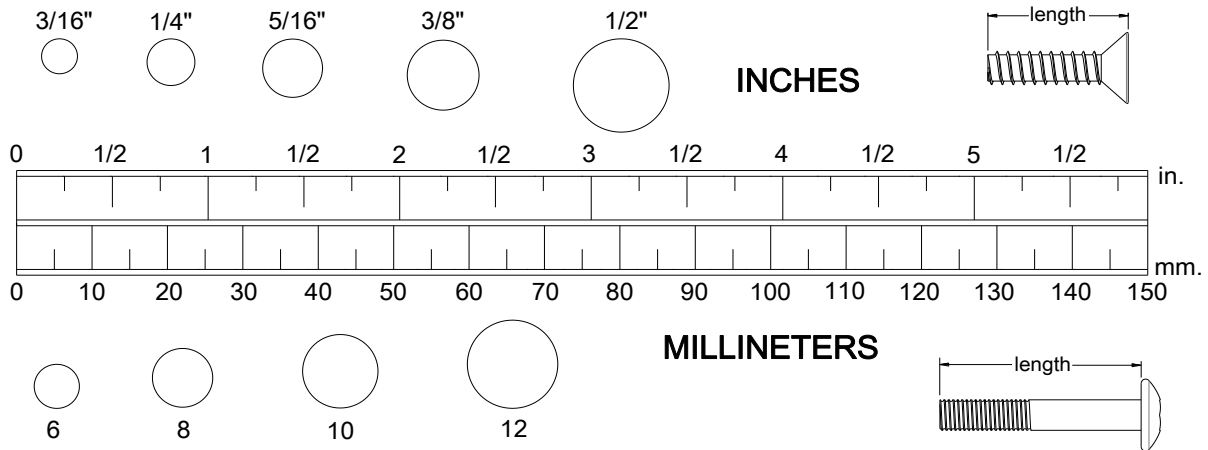


THE FOLLOWING TOOLS ARE INCLUDED FOR ASSEMBLY :



HARDWARE IDENTIFICATION CHART

This chart is provided to help identify the fasteners used in the assembly process. Place the washers or the ends of the bolts or screws on the circles to check for the correct diameter. Use the small scale to check the length of the bolts and screws.

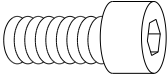
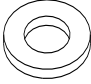




NOTICE: The length of all bolts and screws, except those with flat heads, is measured from below the head to the end of the bolt or screw. Flat head bolts and screws are measured from the top of the head to the end of the bolt or screw.

After unpacking the unit, open the hardware bag and make sure that you have all the following fasteners. Some fasteners may be already attached to the parts.

Below chart include the fasteners for Main Body assembly:

Drawing of Parts	Parts No.	Description	QTY
	#82	Button Head Cap Screw, M8x75 mm	1
	#54	Socket Head Cap Screw, ST8x50mm	4
	#53	Socket Head Cap Screw, M8x35 mm	2
	#72	Nylon Nut, M8	1

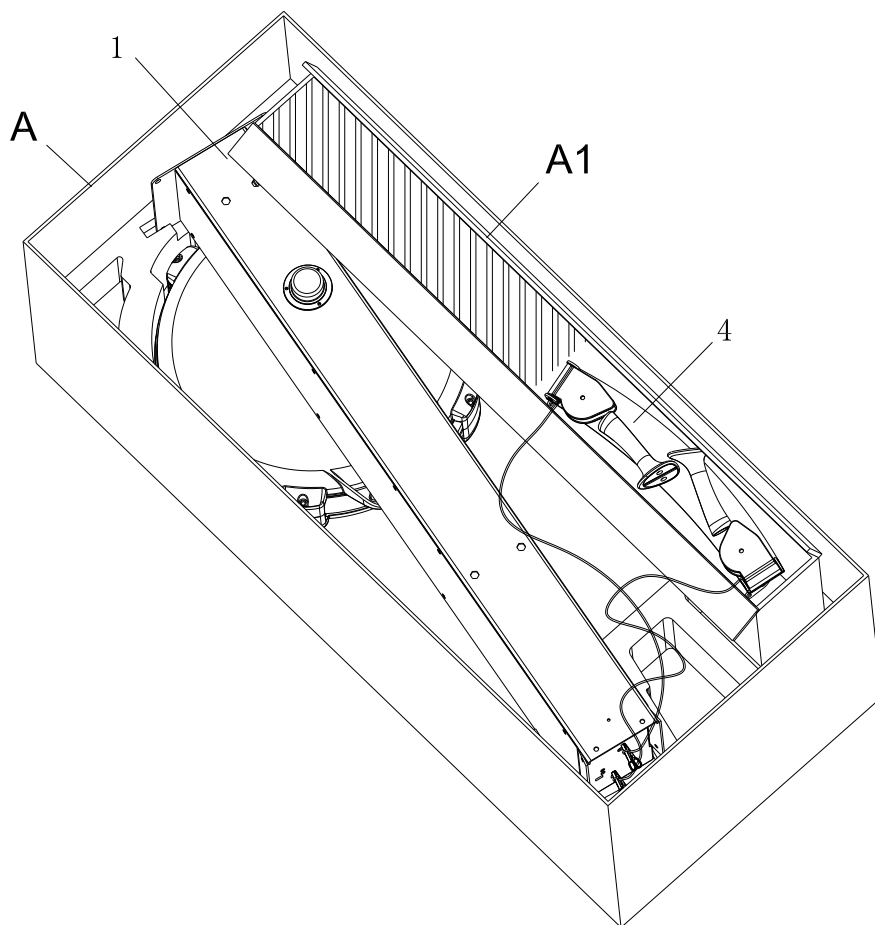
	#86 #87	Socket Head Cap Screw, M8x12 mm Socket Head Cap Screw, M8x15 mm	10 2
	#71 #55	Flat Washer, M8 Flat Washer, Ø22xØ9x2.0mm	15 4
	#89	Allen Wrench 6mm	1
	#88	Wrench 13-15	1

ASSEMBLY INSTRUCTIONS

STEP 1

Take out **Top Bracket (4)** and place it on the ground right next to Box 1 (called Box A in the drawings), and continue to take out **Main Body (1)**.

NOTE: Fan Shrouds will be easily damaged if it faces down on the ground during the assembly.
NOTE: Do not throw away styrofoams until the assembly is completed.



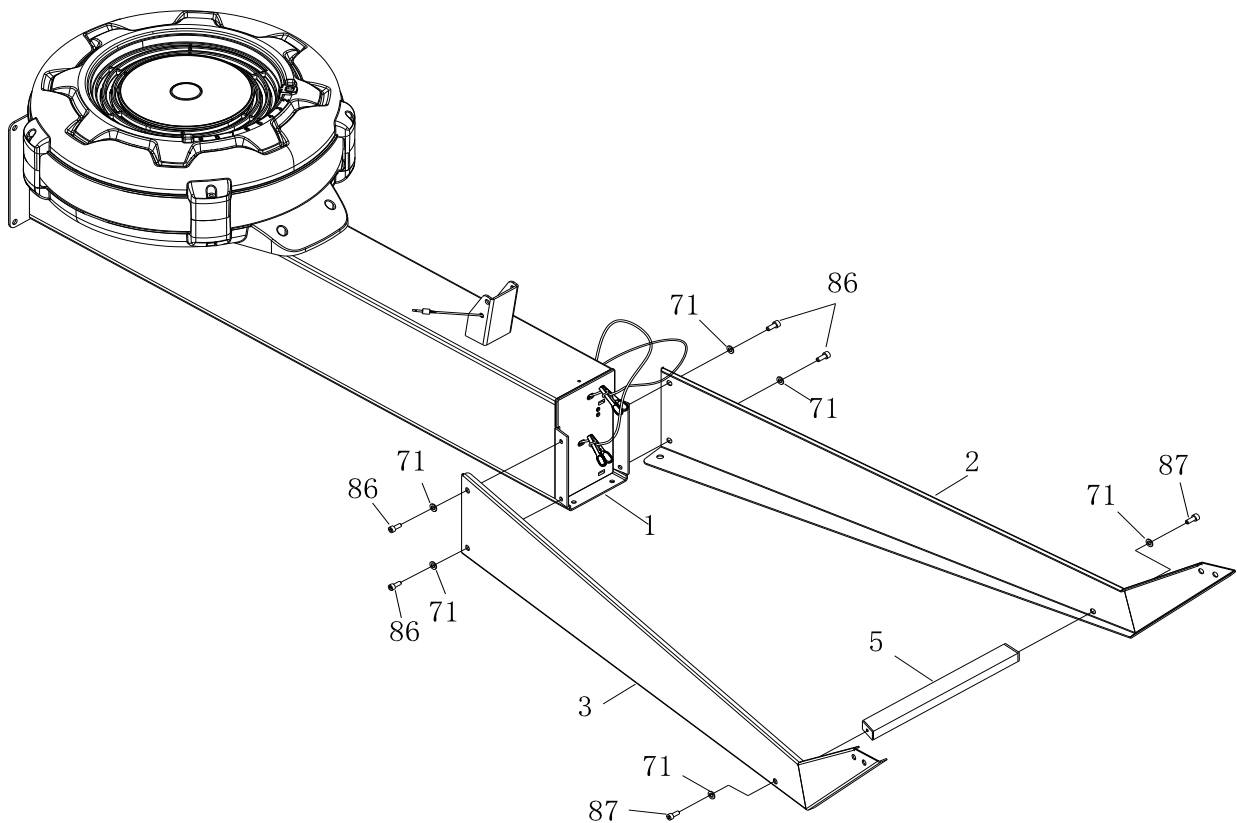
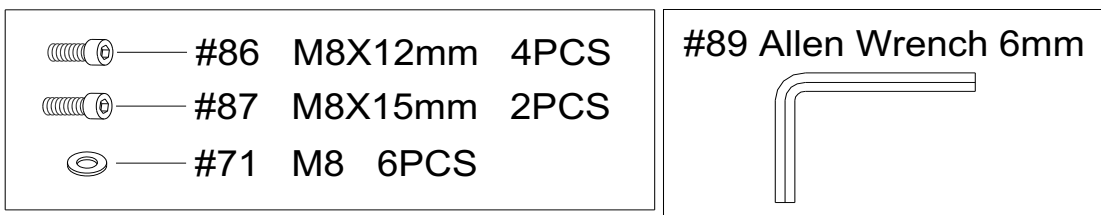
STEP 2

Attach the **Left and Right Upper Arms (2/3)** to **Main Body (1)** to using: 4 PCs of **M8x12mm Socket Head Cap Screw (86)** and **M8 Flat Washer (71)**. Then tighten all bolts.

STEP 3

Attach the **Arm Connection Bracket (5)** to **Left and Right Upper Arms (2/3)** using: 1 PC of **M8x15mm Socket Head Cap Screw (87)** and **M8 Flat Washer (71)**. Then tighten all bolts.


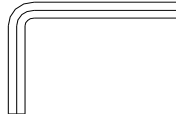

NOTE: Fully tighten bolts at end of above steps

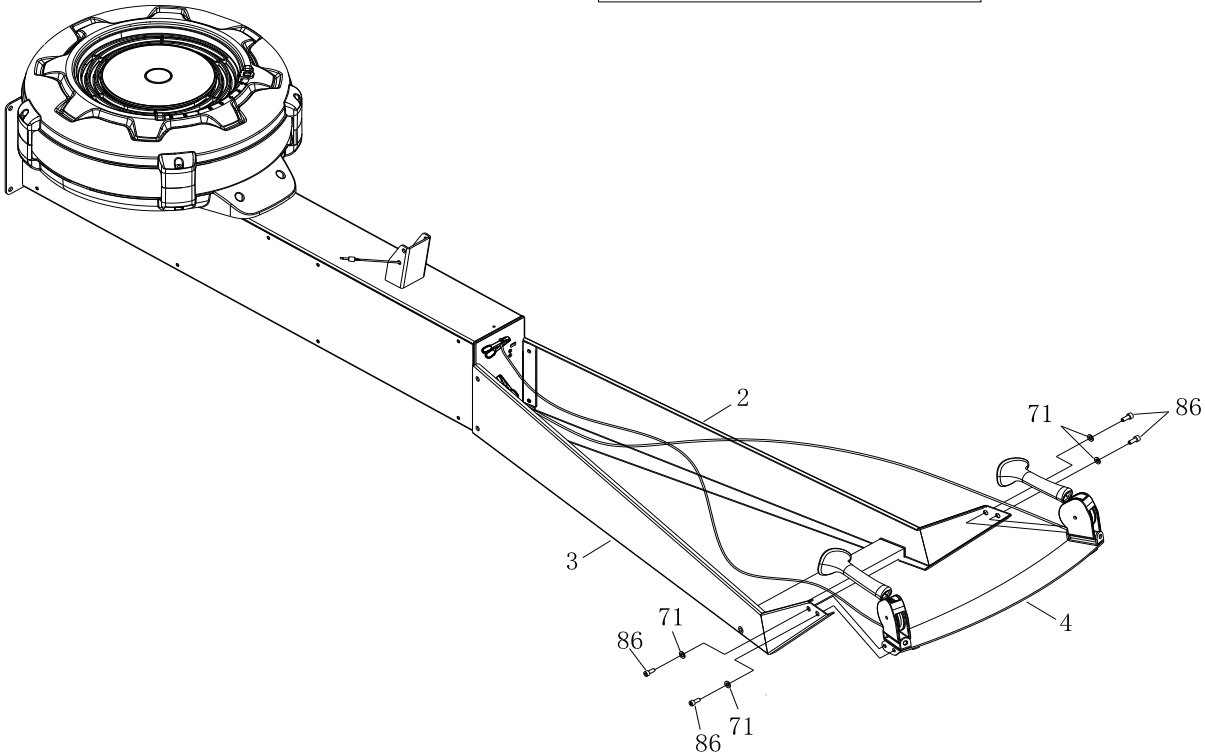


STEP 4

Attach the **Top Bracket (4)** to **Left and Right Upper Arms (2/3)** using: 4 PCs of **M8x12mm Socket Head Cap Screw (86)** and **M8 Flat Washer (71)**. Then tighten all bolts.

NOTE: Fully tighten bolts at end of above step.

 — #86 M8X12mm 4PCS	#89 Allen Wrench 6mm 
 — #71 M8 4PCS	



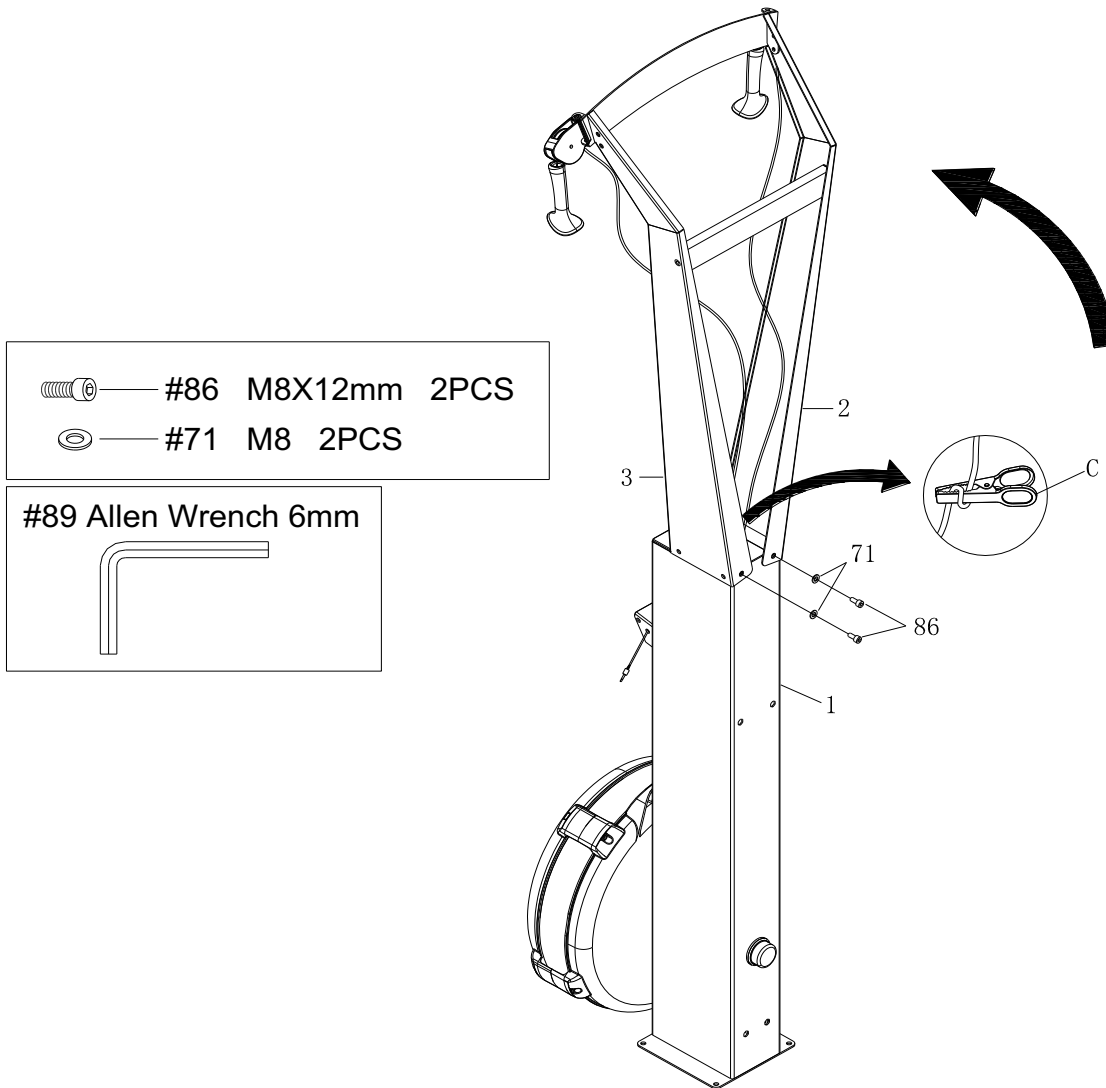
STEP 5

Make the assembly stand up. Tighten the **Left and Right Upper Arms (2/3)** using: 2 PCs of **M8x12mm Socket Head Cap Screw (86)** and **M8 Flat Washer (71)**. Then tighten all bolts.

NOTE: Fully tighten bolts at end of this step.

STEP 6

Remove the clicker from the **Drive Cord (52)**.



STEP 7

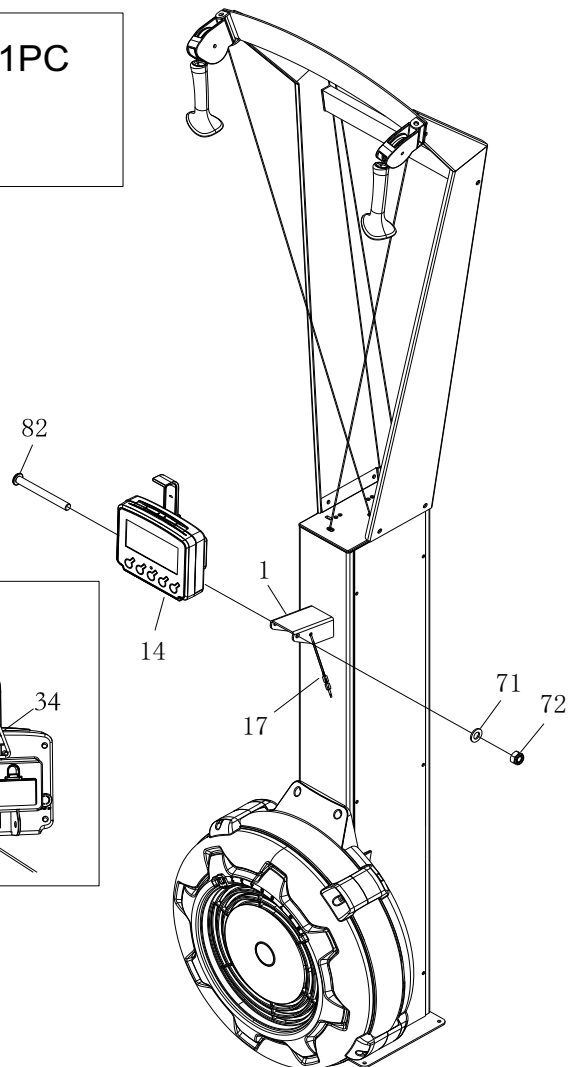
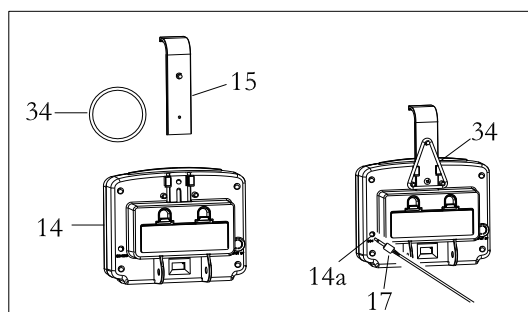
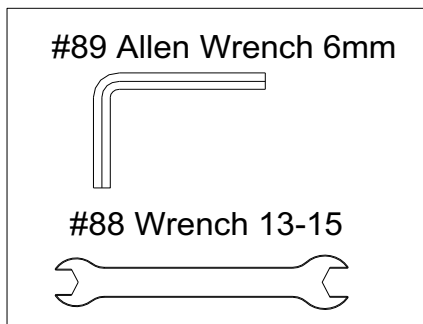
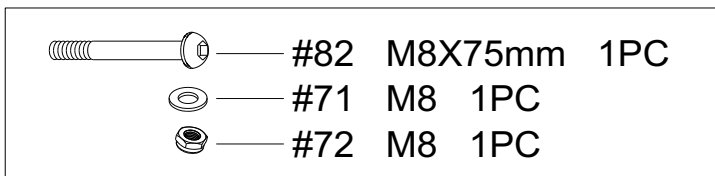
Attach **Cell Phone Bracket (15)** to the **Console Monitor (14)** using **Rubber Band (34)**.

STEP 8

Attach the **Console Monitor (14)** to the console mounting bracket on **Main Body (1)** using: 1 PC of **M8x75mm Button Head Cap Screw (82)**, **M8 Flat Washer (71)**, and **M8 Nylon Nut (72)**.

STEP 9

Connect **Sensor Cable (17)** into the back of the **Console Monitor (14a)**.



STEP 10

Attach the **Lower Wall Mounting Bracket (8)** to **Main Body (1)** using: 2 PCs of **M8x35mm Socket Head Screw (53)** and **M8 Flat Washer (71)**.

STEP 11

Remove 1 PC of **M8x15mm Socket Head Cap Screw (87)** and **M8 Flat Washer (71)** on the **Left Upper Arm (2)**.

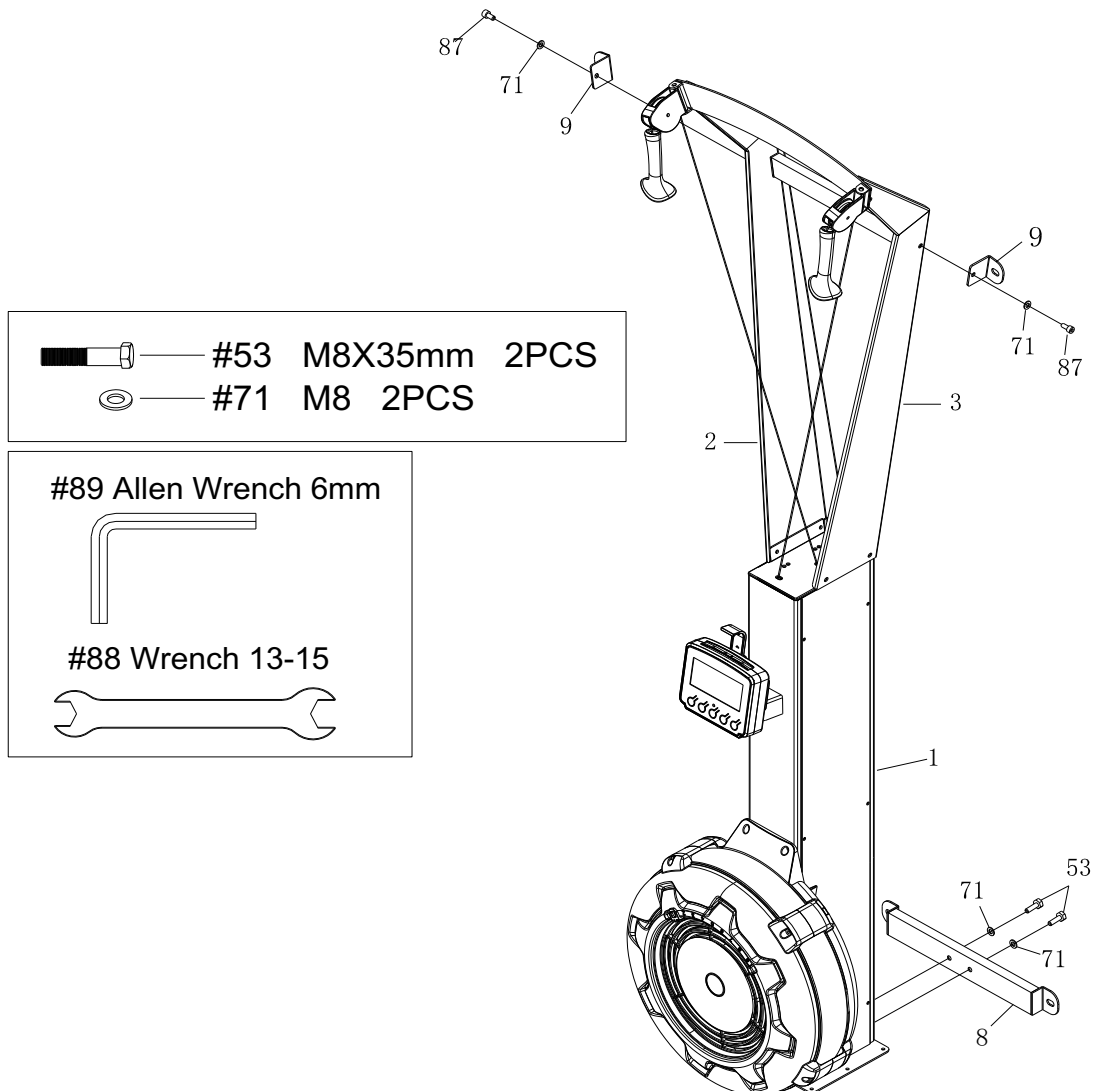
Attach the **Upper Wall Mounting Bracket (9)** on **Left Upper Arm (2)** using: the same screw and washer (**87/71**).

STEP 12

Remove 1 PC of **M8x15mm Socket Head Cap Screw (87)** and **M8 Flat Washer (71)** on the **Right Upper Arm (3)**.

Attach the **Upper Wall Mounting Bracket (9)** on **Right Upper Arm (3)** using: the same screw and washer (**87&71**).

NOTE: Fully tighten bolts at end of above steps.



STEP 13

Hold the assembly up against a solid wall.

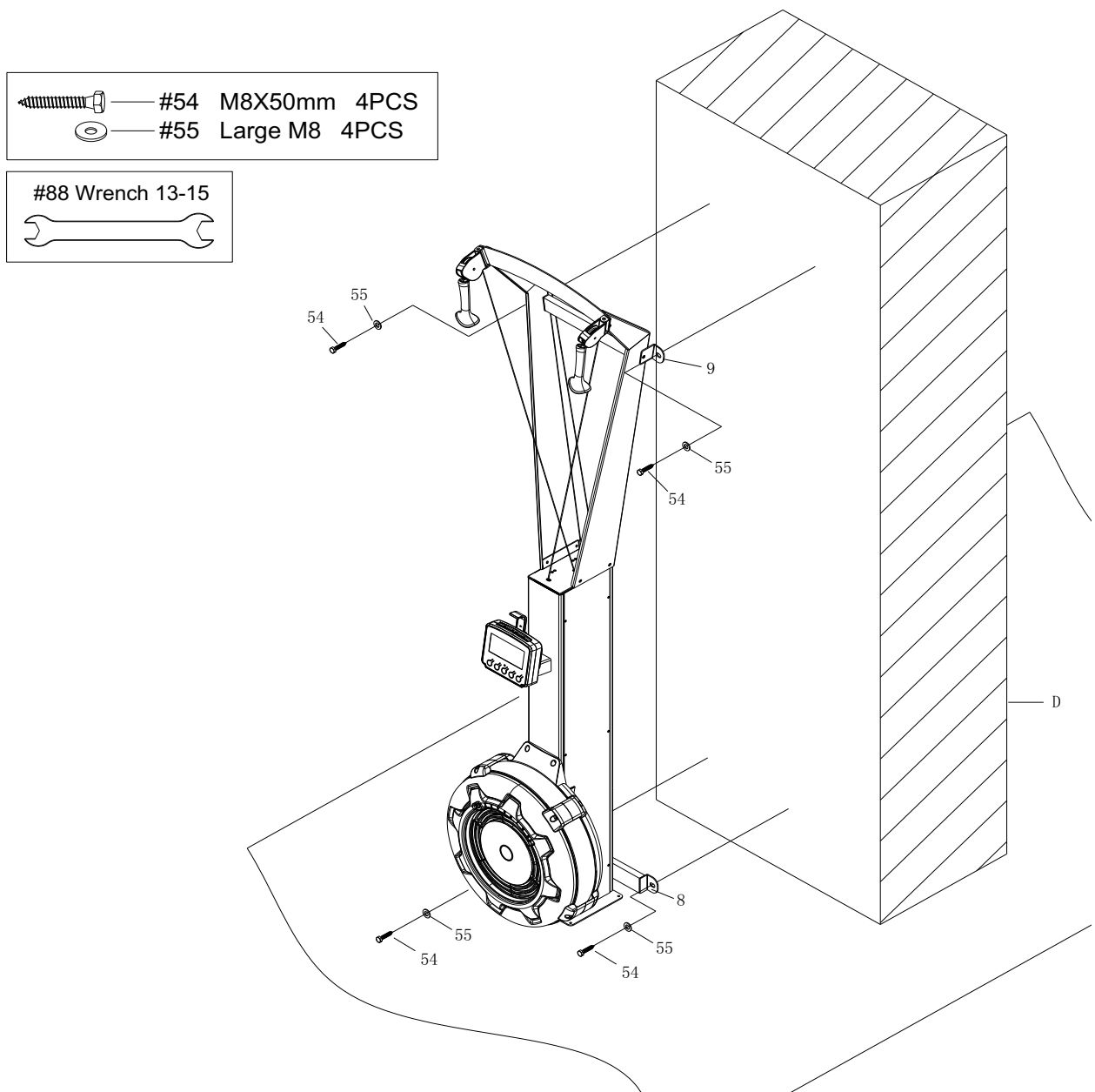
Make 4 positioning marks on the solid wall according to the positions from **Upper Wall Mounting Bracket (9)** and **Lower Wall Mounting Bracket (8)**.

Drill 4 holes based on the positioning marks.

STEP 14

Attach and tighten the assembly to the solid wall using: 4 PCs of **ST8x50mm Socket Head Cap Screw (54)** and **Flat Washer $\Phi 22 \times \Phi 9 \times 2.0 \text{mm}$ (55)**.

NOTE: Fully tighten bolts at end of this step.



COMPUTER INSTRUCTIONS

Your **SKX SKI CROSS**

utilizes an air fan system to create resistance for your workout. We recommend that you use this computer console to vary your workout from session to session and note your progress toward your fitness goals. When used regularly in this way, the computer console can become an important source of motivation and int



INITIAL SETUP

POWER ON:

- Move the handlebar to start exercising in Quick start program or press any button to go into IDLE mode.

POWER OFF:

- In IDLE mode, automatically shuts off after 20 seconds of inactivity.
- When running an Interval Program, automatically shuts off after 2 minutes of inactivity
- In all other programs, automatically shuts off after 30 seconds of inactivity.

METRIC & STANDARD UNIT:

- The initial factory setting is in "KM" . To toggle between Miles and Kilometers, press and hold "UP" and "DOWN" buttons when console in IDLE mode, it will display flashing "KM" & "MILE" . Press "UP" or "DOWN" arrows to select "KM" or "MILE" and then press "ENTER" to confirm.

BATTERY INSTALLATION:

- Console operates on 2 Size C batteries. The battery compartment is on the back of the console. Battery is

included.

- When there's no batteries installed, console can still work in Quick start program.

FUNCTION BUTTONS

SELECT BUTTON:

- In IDLE mode, press and release **SELECT** to cycle through each program option. Stop on the program of your choosing. You can preset target values for DISTANCE, TIME, and CALORIES, GAME, or select an Interval Program of 20/10, 10/20, or 10/10.

NOTE: Default exercising mode is Quick start program.

▲ (UP BUTTON):

- Press to increase the preset values. Press the button and hold it down, the presetting value will go faster, release the button to stop.

▼ (DOWN BUTTON):

- Press to decrease the preset values. Press the button and hold it down, the presetting value will go faster, release the button to stop.

BACK BUTTON:

- When selecting the programs, press the button to return to the previous program.
- When you finish a running program, press the button to jump into the IDEL mode.

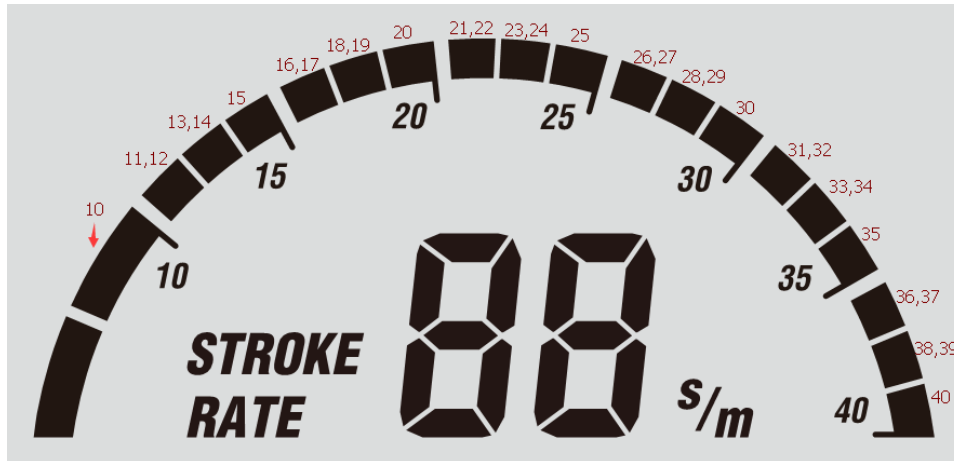
ENTER/STOP BUTTON:

- When selecting the programs and presetting target values, press the button to confirm.
- Press the button and hold it down for three seconds to reset all functions to zero and restart the computer.
- During exercise, when back light is turned off, the first pressing of this button will turn on the back light. When the back light is still lit, press the button a second time to pause the counting of all function values. Press the button a third time to restart the workout and continue of the counting of all function values.

CONSOLE DISPLAY

STROKE RATE:

- Display the current stroke per minute during exercise.
- The lightened up semi-circle equals to the stroke rate that displayed in numbers. The more grids it shows, the higher your stroke rate is.



TIME & TIME/500m AVG:

- Display range: 00:00 ~ 99:59 minutes.
- The workout time is accumulated when under any workout mode.
- Display flashing "00:00" for presetting the TIME (countdown) program. Time can be set from 1:00 to 99:00 minutes.
- Time cannot be saved under 10/10 INTERVAL program. Setting range is 10 ~ 99.
- The time/500mAVG is the average time per hour for reaching distance of 500 meters.

TIME/500m:

- Display range: 00:00 ~ 99:59 minutes.
- The time/500m is the current time per hour for reaching distance of 500 meters.

WATTS AVG & PULSE:

- Display range for watts AVG: 0 ~ 999 watts.
- Display the average amount of power generated during the workout.
- Display the heart rate from 40 to 220 beats per minute during exercise. To use this function, the user must wear Heart Rate Chest Strap.

DISTANCE & DIST/30MIN:

- Display range: 0 ~ 9999 meters. It's accumulated in cycle mode that numbers go back to 0 if the distance exceeds 9999 meters.
- The workout distance is accumulated when under any workout mode.
- Display flashing "500" for presetting DISTACNE (countdown) program. The target distance value can be set from 500 to 9999 meters.
- The dist/30min is the estimated distance for 30 minutes with the current stroke rate.

CALORIES & CAL/HOUR:

- Display range: 0 ~ 999 cal.

- Display flashing "100" for presetting CALORIES (countdown) program. The target calories value can be set from 10 to 999 cal.
- The cal/hour is the average calories consumed per hour during the workout.

CYCLE & WATTS:

- Display only in INTERVAL program.
- Display flashing "8" for presetting the target rounds of exercise in INTERVAL program. The target cycle value can be set from 1 to 99 rounds.
- Display range: 0 ~ 999 watts.
- Display the amount of power generated at any moment during the workout.

LOW BATTERY REMINDER:

- Display battery symbol only when the battery is low.

PROGRAMS

The Console Monitor has eight programs: QUICK START, TIME (countdown), DISTANCE (countdown), CALORIES (countdown), GAME, and INTERVAL PROGRAMS of 20/10, 10/20, & 10/10.

Press "Select" to change workout program according to the following sequence: Quick Start → Distance → Time → Calories → Game → 20/10 Interval → 10/20Interval → 10/10 User Setting Interval

1. QUICK START PROGRAM

- To Quick Start the program, you can pull on the Handlebar(3) to start. All function values for the console will count up.
- Press "**STOP**" button once to temporarily stop counting all values (Pause function). Pull the Handlebar (3) again to continue the counting. Long press "**STOP**" button to delete all counting data.
- For Quick Start and all three countdown programs, press "**SELECT**" button to choose the data displayed in the same display window, including Time & Time/500m AVG.
- For the other seven programs, press "**BACK**" button to enter IDLE mode. Or press and hold "**ENTER/STOP**" button for over 3 seconds to re-start the console. Use "**SELECT**" button to toggle between programs. Use "**UP**" and "**DOWN**" buttons to adjust the value and press "**ENTER/STOP**" to confirm.

2. DISTANCE (Countdown) PROGRAM

- During the workout, the "**DISTANCE**" program will count down from preset value.
- The program will start once the user pulls the Handle (44). When the program is finished, the monitor will show "**WINNER**" with an audible alarm. Press the "**BACK**" button to go to the IDLE mode.

3. TIME (Countdown) PROGRAM

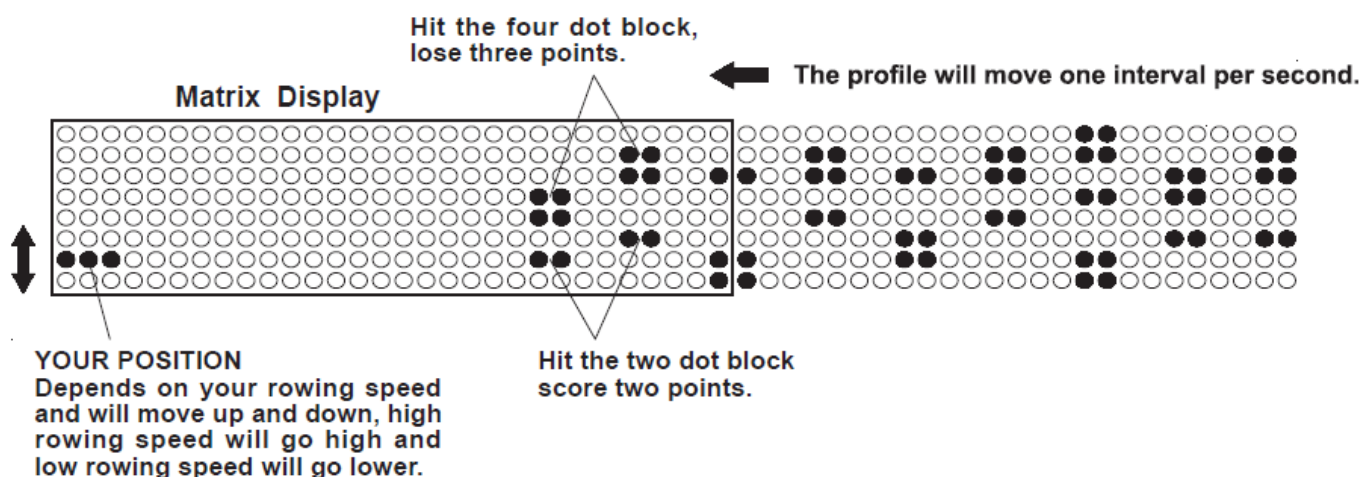
- During the workout, the "**TIME**" program will count down from preset value. The program will start once the user pulls the Handle (44). When the program is finished, the monitor will end with an audible alarm. Press "**BACK**" button to go to the IDLE mode.

4. CALORIES (Countdown) PROGRAM

- During the workout, the “CALORIES” program will count down from preset value. The program will start once the user pulls the Handle (44). When the program is finished, the monitor will show “END” with an audible alarm. Press “BACK” button to go to the IDLE mode.

5. GAME PROGRAM

- When the “GAME” program is selected, the program will start once the user pulls the Handlebar. There is no presetting value to be entered. When the program is finished, the monitor will show your score with an audible alarm. Press the “BACK” button to go to the IDLE mode.



6. 20/10 INTERVAL PROGRAM

- When it is in the “20/10 INTERVAL” program, the console monitor will display flashing “8” for presetting value of cycle. “20” is 20 seconds for exercising, and “10” is 10 seconds for resting. Then user can use “UP” and “DOWN” buttons to input the value from 1 to 99. The user will workout for 20 seconds and then rest for 10 seconds. When the program is finished, the monitor will end with an audible alarm. Press the “BACK” button to go to the IDLE mode.

7. 10/20 INTERVAL PROGRAM

- When it is in the “10/20 INTERVAL” program, the console monitor will display flashing “8” for presetting value of cycle. Then user can use “UP” and “DOWN” buttons to input the value from 1 to 99. User will workout for 10 seconds and then rest for 20 seconds. The program will start once the user pulls the Handle (44). When the program is finished, the monitor will end with an audible alarm. Press the “BACK” button to go to the IDLE mode.

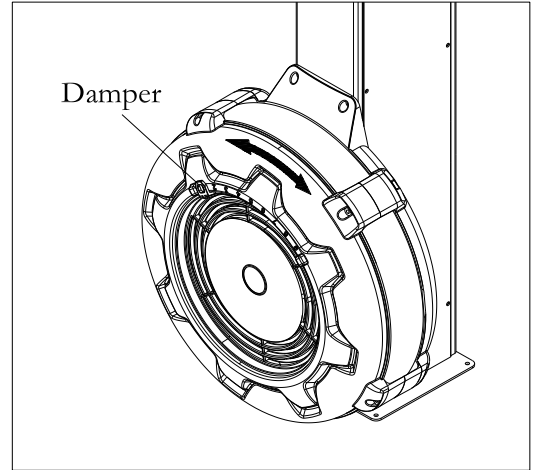
8. 10/10 INTERVAL PROGRAM

- When it is in the “10/10” INTERVAL” program, the console monitor will display flashing “8” for presetting value of cycle. Then user can use “UP” and “DOWN” buttons to input the value from 1 to 99 for number of cycle, workout time, and rest time. The program will start once the user pulls the Handle (44). When the program is finished, the monitor will end with an audible alarm. Press the “BACK” button to go to the IDLE mode.

OPERATIONAL INSTRUCTIONS

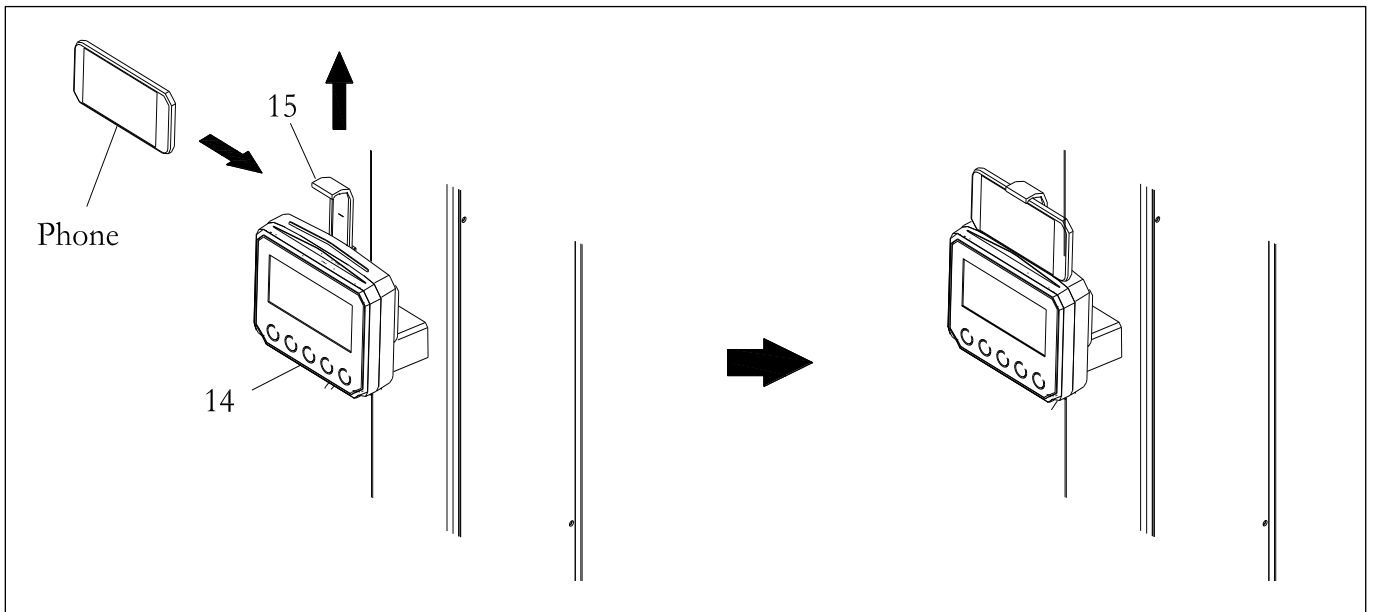
LOAD ADJUSTMENT

There is a **Damper (31)** built into the **Upper Fan Shroud (32)**. Move the Indicator in the **Damper (31)** to point to the numbers on the **Upper Fan Shroud (32)** to adjust the load. There are settings from 1 to 9. Setting #1 will provide the lowest resistance. Setting #9 will provide the highest resistance.



USING THE CELL PHONE BRACKET

The **Cell Phone Bracket (15)** can move up and down. Move up the **Cell Phone Bracket (15)**, then slide the Cell Phone into the gap between the **Cell Phone Bracket (15)** and the **Console Monitor (14)**. Move down the **Cell Phone Bracket (15)** to clip the Cell Phone in position.

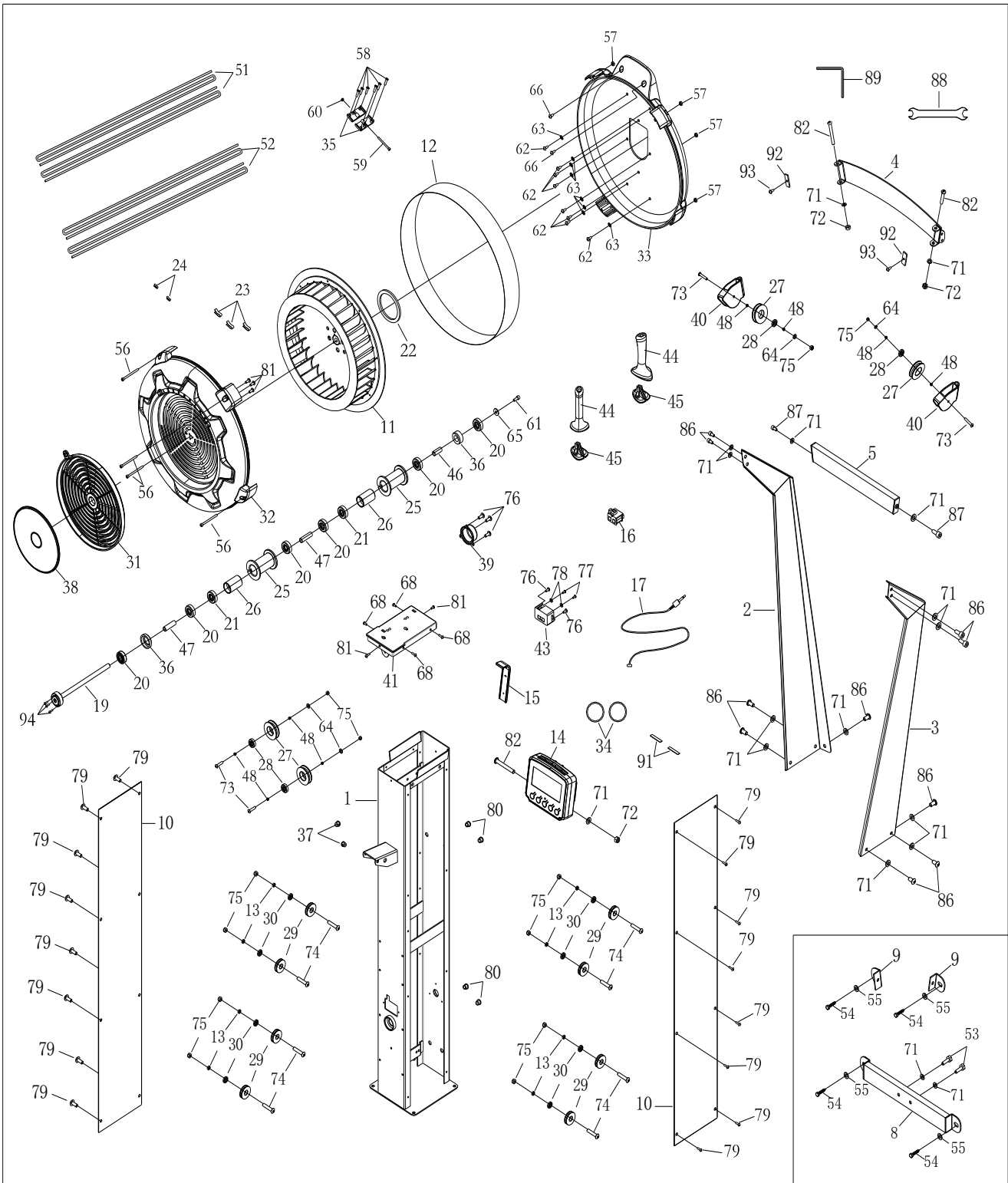


MAINTENANCE

The safety and integrity designed into the **SKX SKI CROSS** can only be maintained when the **SKX SKI CROSS** is regularly examined for damage and wear. Special attention should be given to the following:

1. Pull on the **Handle (44)** and verify that the System provides tension and the seat travel is smooth and stable.
2. Clean the revealed surface of **Cord Pulley (27)** with an absorbent cloth.
3. Verify that all nuts and bolts are present and properly tightened. Replace missing nuts and bolts. Tighten loose nuts and bolts.
4. Check the condition of the **Drive Cord (52)**. Replace the **Drive Cord (52)** if it is damaged or broken.
5. Verify that the **Warning Label** is in place and easy to read.
6. It is the sole responsibility of the user/owner to ensure that regular maintenance is performed.
7. Worn or damaged components must be replaced immediately or the **SKX SKI CROSS** removed from service until repair is made.
8. Keep your **SKX SKI CROSS** clean by wiping it off with an absorbent cloth after use.

PRODUCT PARTS DRAWING



PARTS LIST

PART#	DESCRIPTION	QTY
1	Main Body	1
2	Left Upper Arm	1
3	Right Upper Arm	1
4	Top Bracket	1
5	Arm Connection Bracket	1
8	Lower Wall Mounting Bracket	1
9	Upper Wall Mounting Bracket	2
10	Body Cover (Left/Right)	2
11	Fan	1
12	Perforated Steel Mesh	1
13	Console Pulley Spacer	8
14	Console Monitor	1
15	Cell Phone Bracket	1
16	Generator	1
17	Sensor Cable	1
19	Fan Axle	1
20	Bearing 6001RS	6
21	One Way Bearing (HF1212,12t)	2
22	Magnet	1
23	Balance Weight	3
24	Small Balance Weight	2
25	Cord Pulley	2
26	Pulley Spacer	2
27	Cord Pulley	4
28	Bearing 6000ZZ	4
29	Console Pulley	8
30	Bearing 606ZZ	8
31	Damper	1
32	Upper Fan Shroud	1
33	Bottom Fan Shroud	1
34	Rubber Band	2
35	Steel Plate	2
36	Bushing 6001	2
37	Cable Plug	2
38	Damper Cap	1
39	Pulley Cover	1
40	Pulley Bracket	2

41	Body Upper Cover	1
43	Generator Base	1
44	Handle	2
45	Handle Plug	2
46	Short Spacer	1
47	Long Spacer	2
48	Cord Pulley Spacer	8
51	Bungee Cord	2
52	Drive Cord	2
53	Socket Head Cap Screw, M8x35 mm	2
54	Socket Head Cap Screw, ST8.0x50mm	4
55	Flat Washer, $\Phi 22 \times \Phi 9 \times 2.0$ mm	4
56	Socket Head Cap Screw, M5x92mm	4
57	Hex Nut, M5	4
58	Philips Head Screw, ST4.2x6mm	6
59	Philips Head Screw, M4x45mm	1
60	Hex Nut, M4	1
61	Socket Head Cap Screw, M6x12mm	1
62	Philips Head Screw, M6x10mm	8
63	Lock Washer, Internal Tooth M6	8
64	Flat Washer, M6	4
65	Flat Washer, $\emptyset 16 \times \emptyset 6.2 \times 1.5$ mm	1
66	Philips Head Screw, M6x16mm	2
68	Philips Head Screw, ST4.2x16mm	4
71	Flat Washer, M8	17
72	Nylon Nut, M8	3
73	Button Head Cap Screw, M6x35mm	4
74	Philips Head Screw, M6x20mm	8
75	Nylon Nut, M6	12
76	Philips Head Screw, ST4.2x10mm	5
77	Philips Head Screw, ST3.5x12mm	2
78	Flat Washer, $\Phi 12 \times \Phi 3.5 \times 1.0$ mm	2
79	Philips Head Screw, M5x8mm	16
80	Hex Nut, M8	4
81	Philips Head Screw, ST4.2x16mm	5
82	Button Head Cap Screw, M8x75mm	3
86	Socket Head Cap Screw, M8x12mm	10
87	Socket Head Cap Screw, M8x15mm	2
88	Wrench	1
89	Allen Wrench 6mm	1

91	EVA Single Glue	2
92	Rubber Cushion	2
93	Philips Head Screw, M5x8mm	2
94	Socket Head Cap Screw, M4x12mm	3



GARLANDO SPA
Via Regione Piemonte, 32 - Zona Industriale D1
15068 - Pozzolo Formigaro (AL) - Italy
contact@toorxprofessional.it
www.toorxprofessional.it