

TOORX
PROFESSIONAL LINE

INSTRUCTION



WBX3000

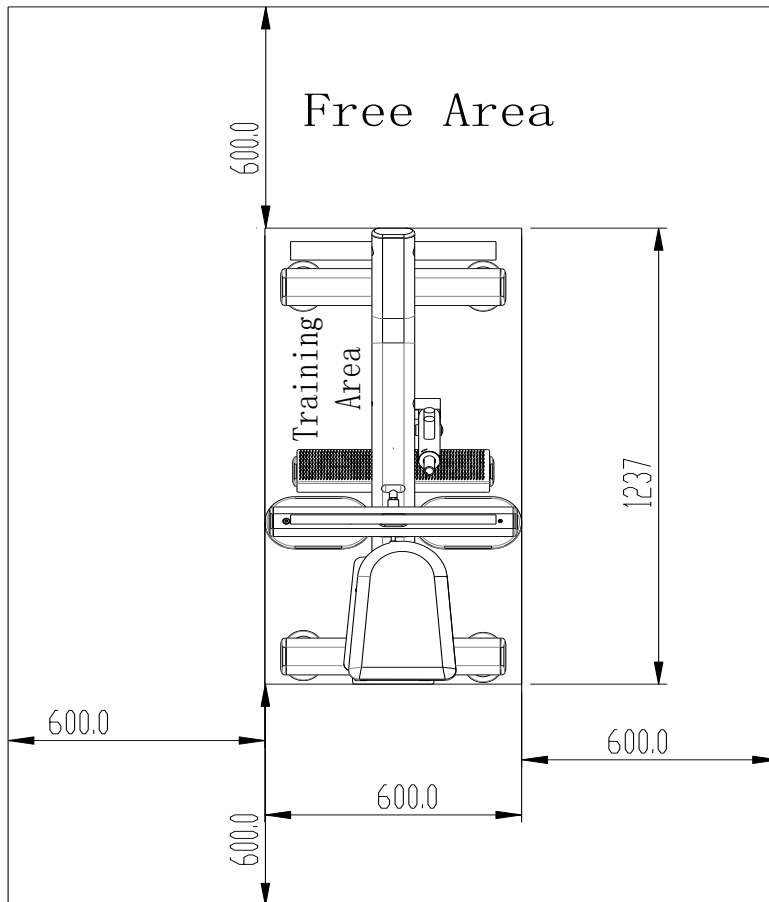


Cod : GRLDTOORXWBX3000

Rev : 00

Ed : 06/18

Training Area and Free Area



Specifications

Class: S

Maximum Wt. Capacity: 100kg/220IBS

Maximum User Weight: 135kg/297IBS

Product Total Surface: 1237*600mm

Product Total Mass: 50kg/110IBS

REGULAR MAINTENANCE

1. The safety level of the equipment can be maintained only if it is examined regularly for damage and wear, e.g. ropes, pulleys, connection points;
2. Pay special attention to components most susceptible to wear.
3. Replace defective components immediately and /or keep the equipment out of use until repair;
4. This equipment should carry on regular maintenance according to the following chart:

| MAINTENANCE | EVERYDAY | EVERY WEEK | THREE MONTHS |
|--|----------|------------|--------------|
| Check: connecting, bolt, Weight stack bolt | √ | | |
| Clearance: cushion and cover | √ | | |
| Lubrication: place of sliding | | | √ |
| Check: bolt if tighten | | √ | |
| Lubrication: Bracket of bearing | | | √ |

INSTALL SKETCH MAP

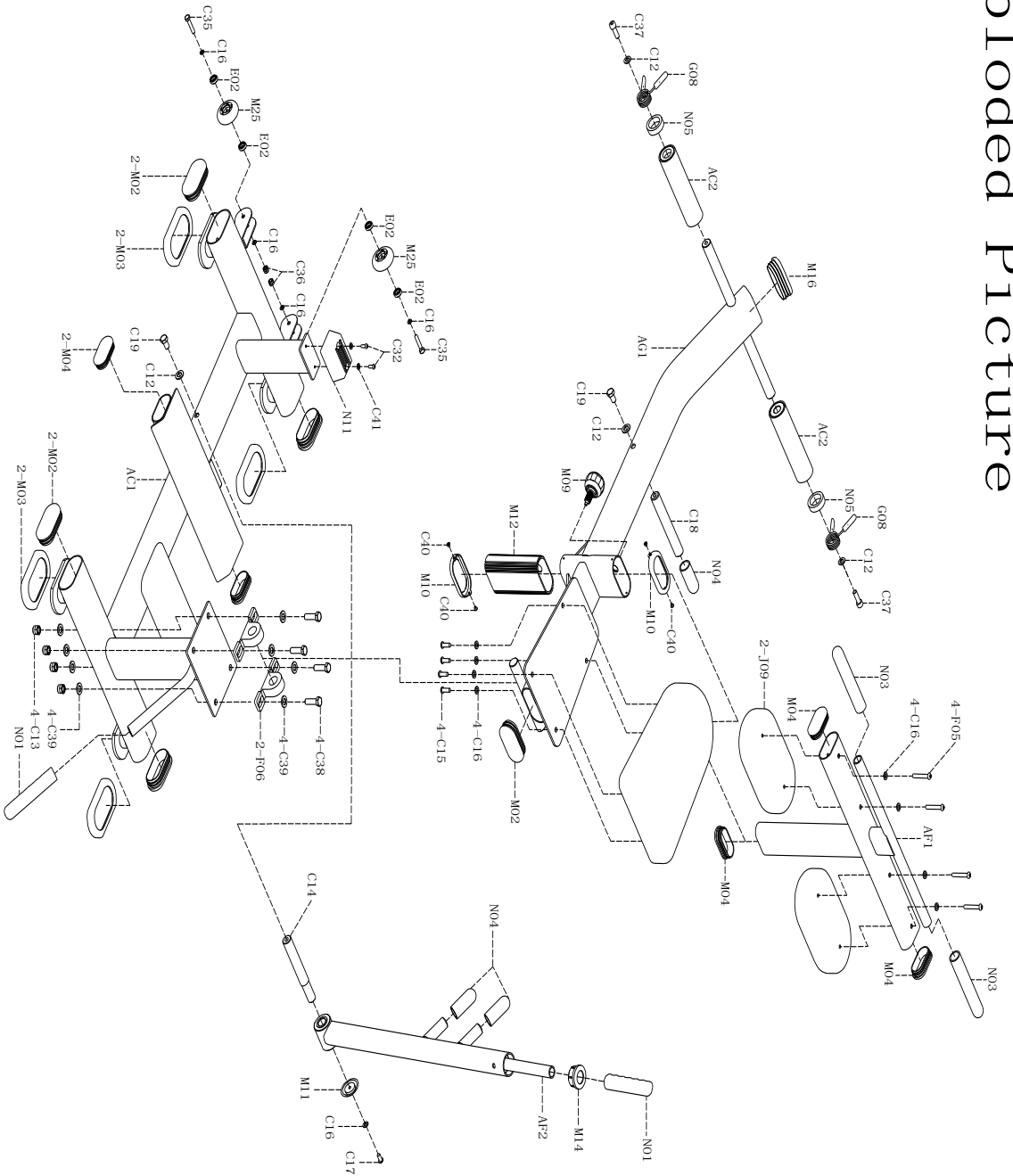
Let assembly become easier

All the content of user's manual is to assured the strength training machine can be installed more easily

Reading the details and instructions before installing:

1. Because the size and weight of equipment is so large, Please choose the installed place near the desired station and assured there is enough space to exercise
2. All parts can be put on the clear area, then backout the wrapper. And the wrapper can't be through away before installation finished.
3. Screw the bolt tightly except the additional instruction
4. All parts must be installed according the illustration indication.
5. Installation work can be finished by tow men
6. Identify all parts by part identify chart

Exploded Picture

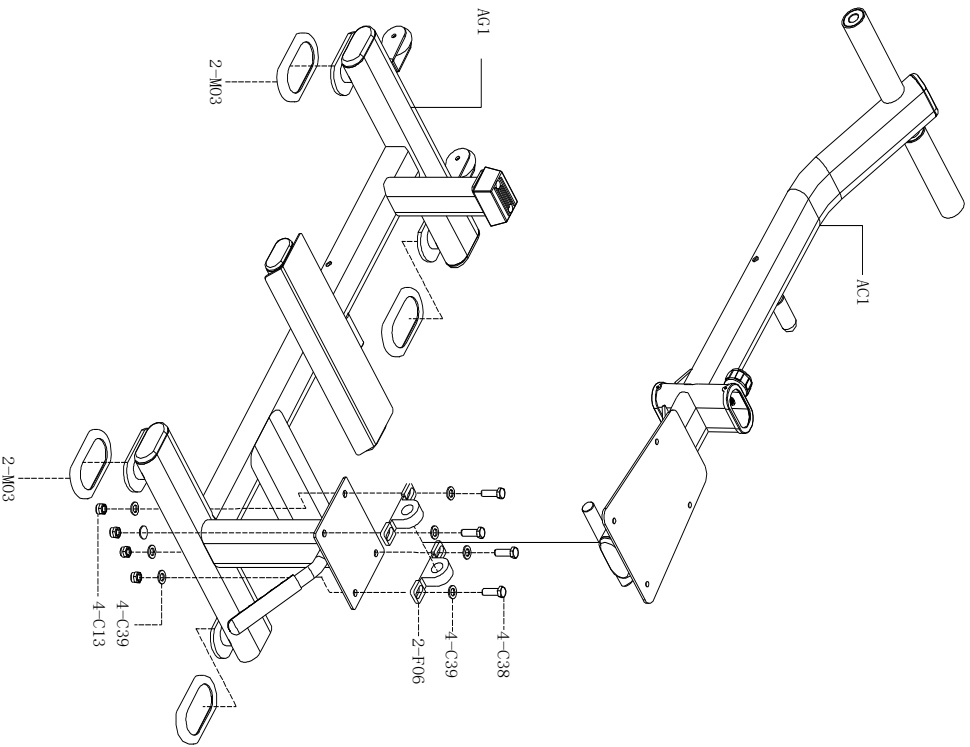


Assembly Step:

Use tool:

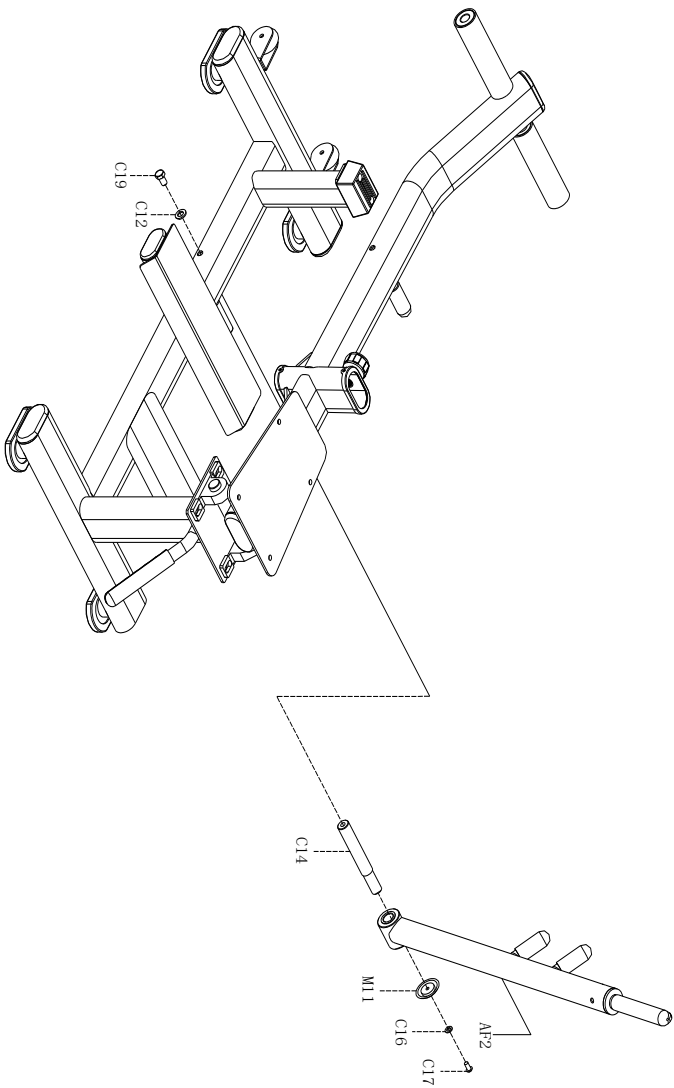
- 1. M6 Hex spanner**
- 2. Two 17-19 spanner**

Step 1



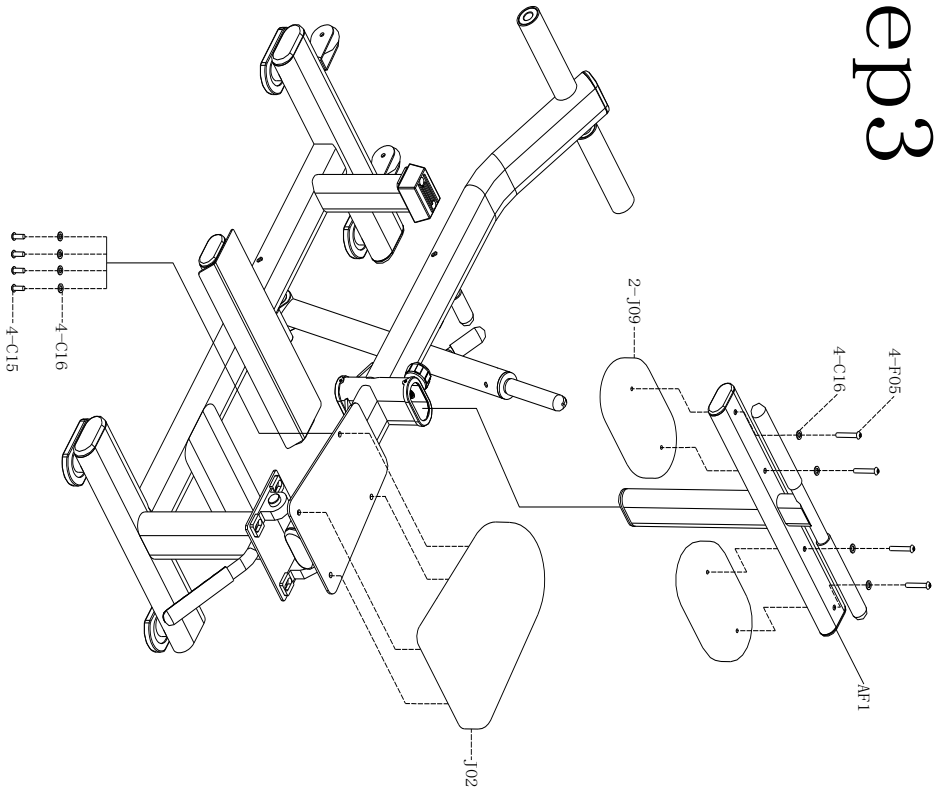
| No. | Name | Size | Quantity |
|-----|--------------------------|------------------|----------|
| AC1 | Gastell welding group | | 1 |
| AC1 | Main frame welding group | | 1 |
| M03 | Flat oval pad | φ 80*135 | 4 |
| C38 | Outer hexagon screw | M12*1.75P-40L | 4 |
| C39 | Flat pad | φ 13.5*φ 24*2.5t | 8 |
| F06 | Facade bearing | | 2 |
| C13 | Fastening screw | M12*1.75P | 4 |

Step2



| No. | Name | Size | Quantity |
|-----|-----------------------------------|---------------|----------|
| AP2 | | | 1 |
| C17 | Inner hexagon circular head screw | M8xL 25P-15L | 1 |
| C16 | Flat pad | φ9x φ16xL 6t | 1 |
| M11 | Bearing cover | φ 53 | 1 |
| C14 | galvanized axis | φ25xL50L | 1 |
| C12 | Flat pad | φ 11x φ 20x2t | 1 |
| C19 | Outer hexagon screw | M12xL 75P-20L | 1 |

Steps 3

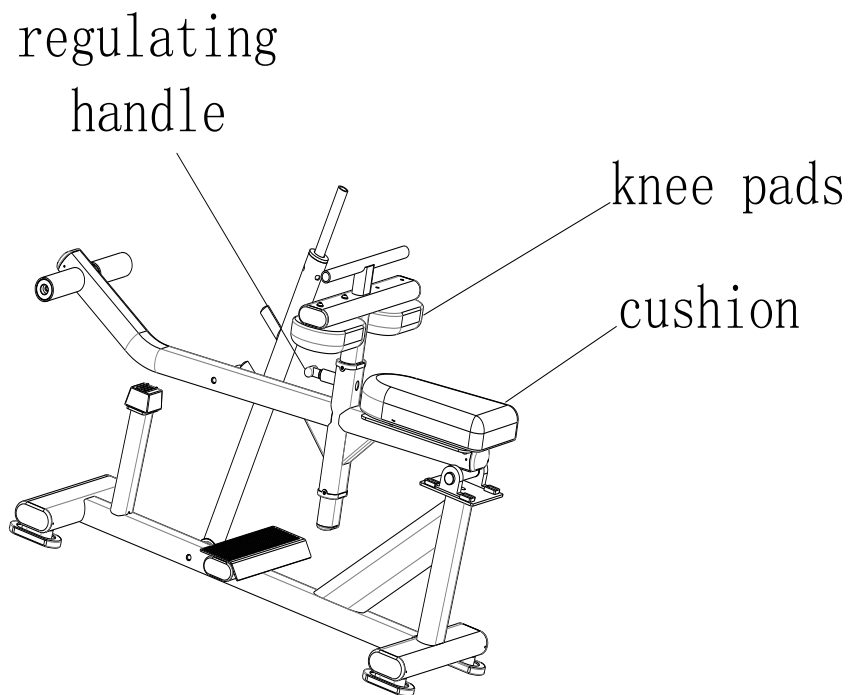


| No. | Name | Size | Quantity |
|-----|-----------------------------------|----------------|----------|
| AF1 | Adjustable welding group | | 1 |
| F05 | Inner hexagon critical head screw | M8*1.25P-55L | 4 |
| C16 | Flat pad | φ 9* φ 16*1.6t | 8 |
| C15 | Inner hexagon critical head screw | M8*1.25P-25L | 4 |
| J02 | upholstery | E2 | 1 |
| J09 | upholstery | D1 | 2 |

Adjust Instructions

Seat Height Adjustment

- 1、 Pull out the adjustable handle,adjust seat cushion to suitable position,and loosen the handle.
- 2、 After finish adjusting,please ensure that the bolt of the adjustable handle is inserted to pin hole completely before using the equipment.





GARLANDO SPA
Via Regione Piemonte, 32 - Zona Industriale D1
15068 - Pozzolo Formigaro (AL) - Italy
www.toorx.it - info@toorx.it