

**TOORX**  
PROFESSIONAL LINE

# INSTRUCTION



**WLX3000**



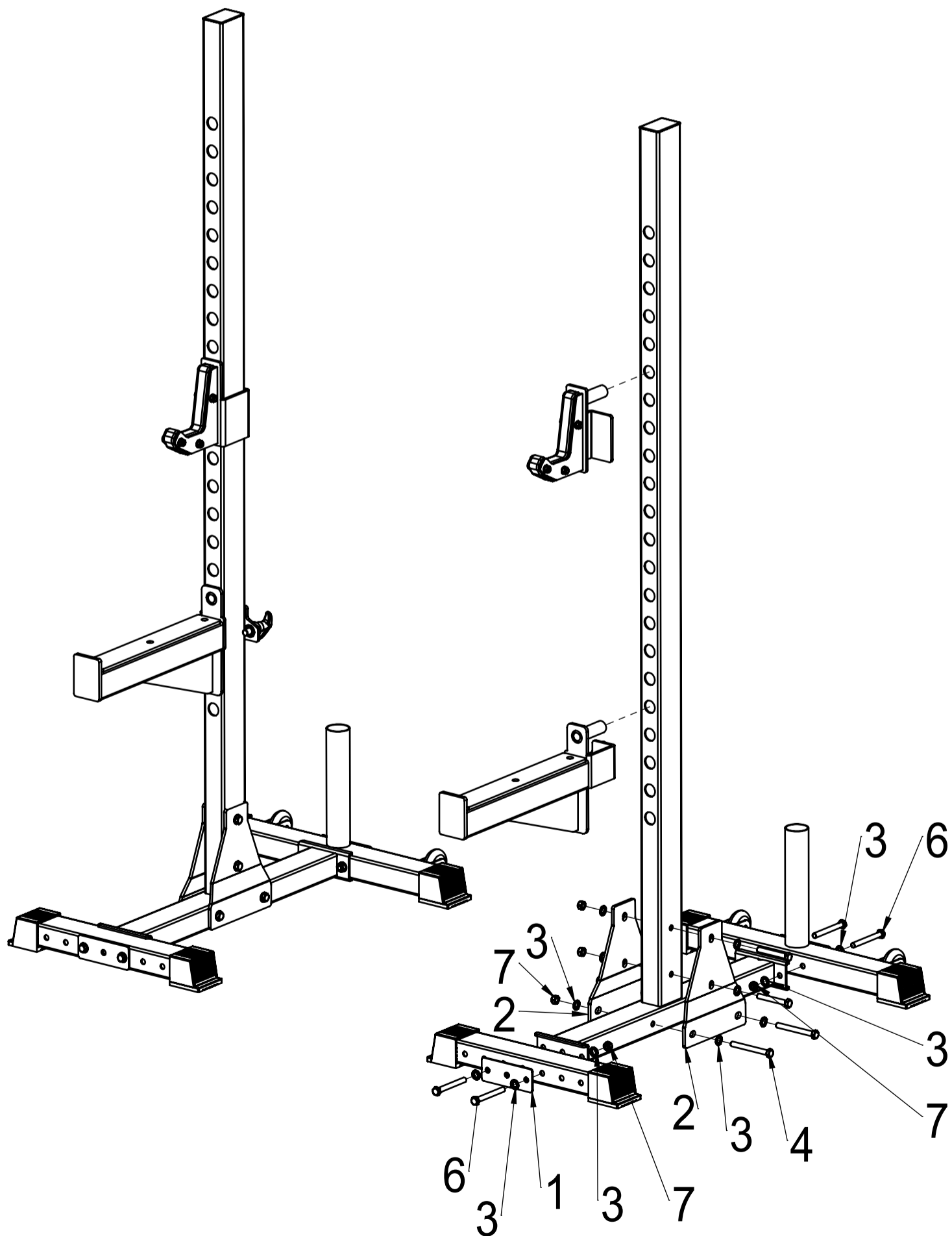
Cod : GRLDTOORXWLX3000

Rev : 00

Ed : 04/20

# The composing of accessories

PART NO.	DESCRIPTION	QTY
1	Plate A	2
2	Plate B	4
3	M10 Washer	32
4	M10X95 Hex Bolt	4
5	M10X75 Hex Bolt	4
6	M10X90 Hex Bolt	8
7	M10 Nylon Nut	16





GARLANDO SPA  
Via Regione Piemonte, 32 - Zona Industriale D1  
15068 - Pozzolo Formigaro (AL) - Italy  
[www.toorx.it](http://www.toorx.it) - [info@toorx.it](mailto:info@toorx.it)